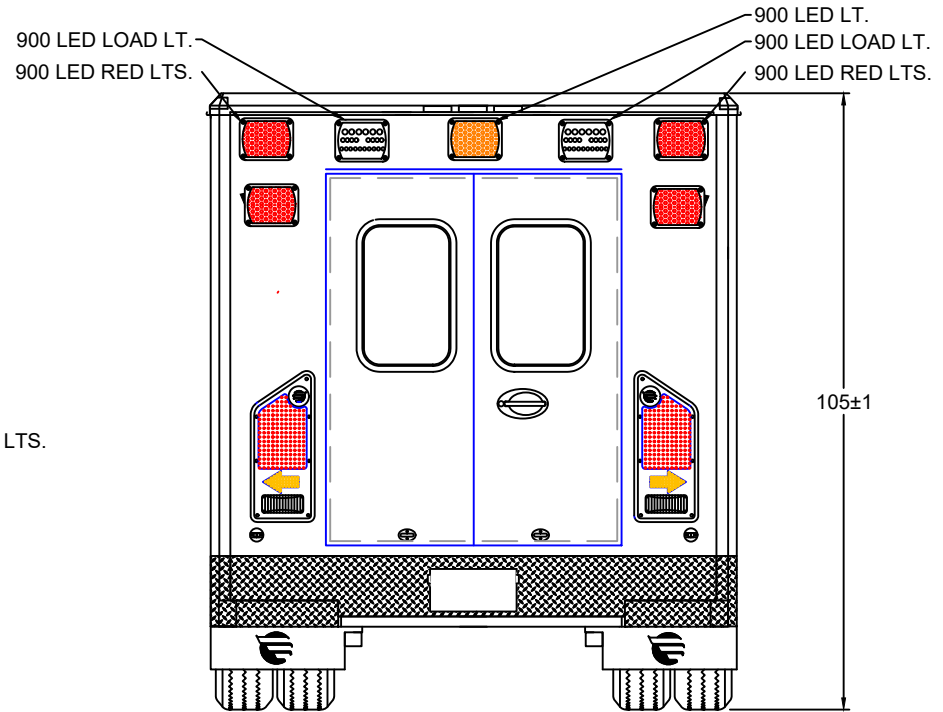
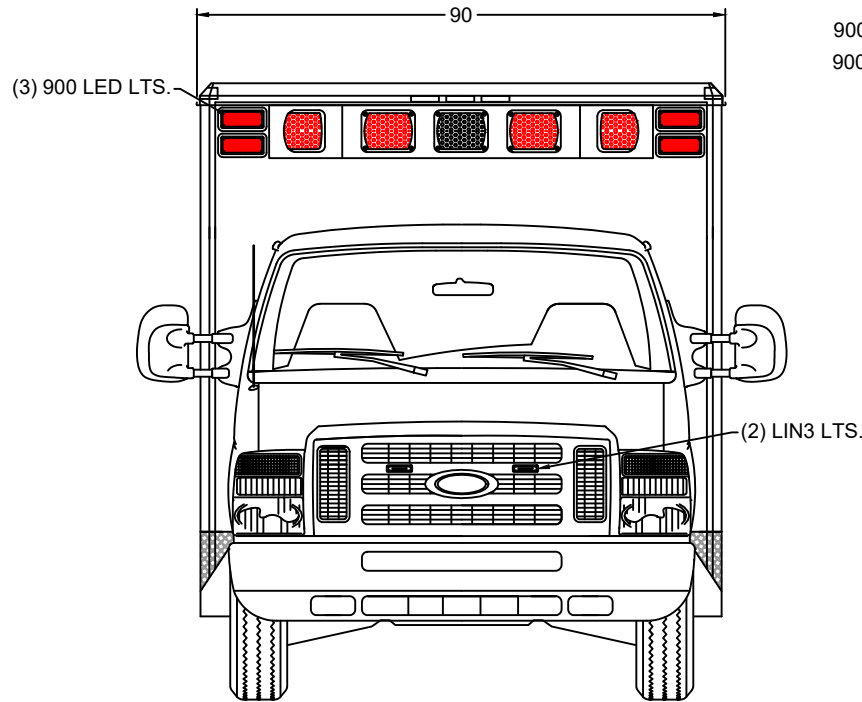


CA167167

EVEREST EV DEMO

148 x 90 x 72



EXTERIOR COMPARTMENT DIMENSIONS IN INCHES

INTERIOR DIMENSIONS				PASS THRU		INTERIOR DIMENSIONS				JAMB OPENING	
COMPT.	HEIGHT	WIDTH	DEPTH	HEIGHT	WIDTH	COMPT.	HEIGHT	WIDTH	DEPTH	HEIGHT	WIDTH



E-350 TYPE 3 FORD 2022
FRONT / REAR
EXTERIOR VIEWS

BE ADVISED THAT THESE ARE PRELIMINARY LAYOUTS INTENDED TO ILLUSTRATE DESIGN INTENT AND DIMENSIONS ARE FOR REFERENCE ONLY PRIOR TO FINAL ENGINEERING

DATE: 12/12/2022

SCALE

DWN BY: NP

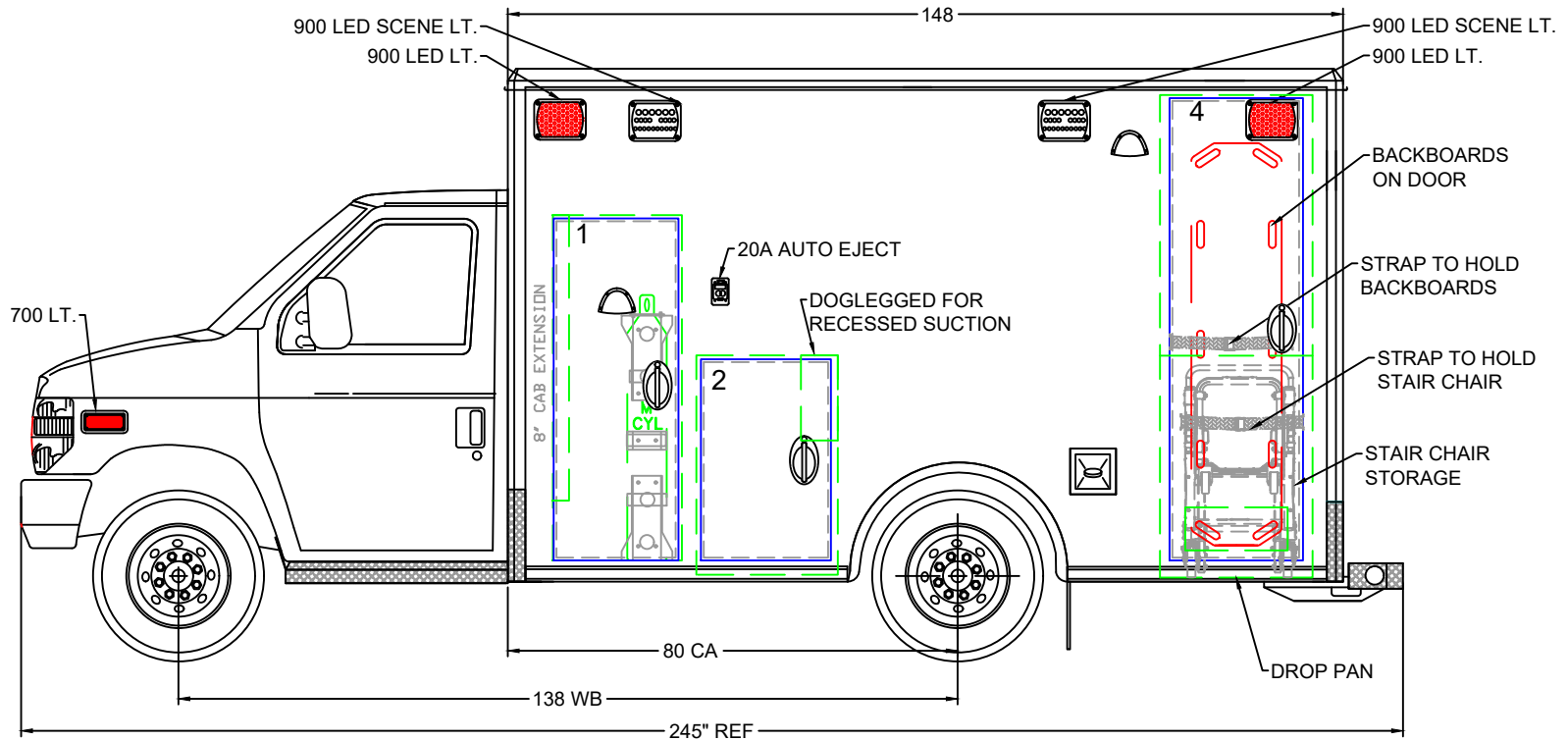
DWG NO: 1 / 9

49" AISLE

CA167167


EVEREST EV DEMO

148 x 90 x 72



BE ADVISED THAT THESE ARE PRELIMINARY LAYOUTS INTENDED TO ILLUSTRATE DESIGN INTENT AND DIMENSIONS ARE FOR REFERENCE ONLY PRIOR TO FINAL ENGINEERING

EXTERIOR COMPARTMENT DIMENSIONS IN INCHES											
INTERIOR DIMENSIONS				JAMB OPENING		INTERIOR DIMENSIONS				JAMB OPENING	
COMPT.	HEIGHT	WIDTH	DEPTH	HEIGHT	WIDTH	COMPT.	HEIGHT	WIDTH	DEPTH	HEIGHT	WIDTH
4	85.50	27.00	8.00/15.00	81.75	23.50						
2	38.75	25.00	15.00	35.75	22.75						
1	61.00	22.75	15.00	60.50	22.00						
49" AISLE											



E-350 TYPE 3 FORD 2022

LEFT EXT. VIEW

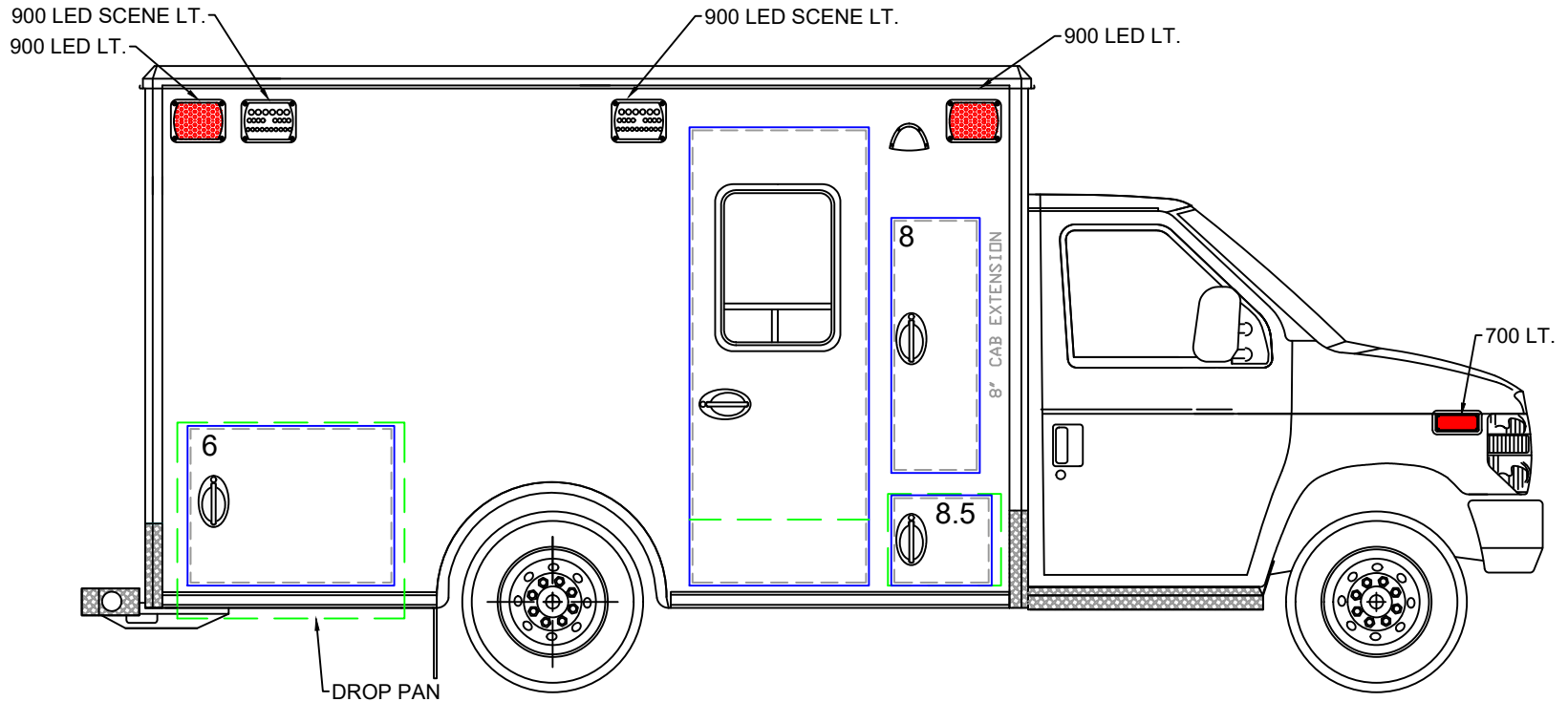
DATE: 12/12/2022 SCALE:

DRAWN BY: NP DWG NO: 2 / 9

CA167167

EVEREST EV DEMO

148 x 90 x 72



BE ADVISED THAT THESE ARE PRELIMINARY LAYOUTS INTENDED TO ILLUSTRATE DESIGN INTENT AND DIMENSIONS ARE FOR REFERENCE ONLY PRIOR TO FINAL ENGINEERING

EXTERIOR COMPARTMENT DIMENSIONS IN INCHES

INTERIOR DIMENSIONS				JAMB OPENING		INTERIOR DIMENSIONS				JAMB OPENING	
COMPT.	HEIGHT	WIDTH	DEPTH	HEIGHT	WIDTH	COMPT.	HEIGHT	WIDTH	DEPTH	HEIGHT	WIDTH
8				42.75	14.75						
6	32.75	38.00	15.50	26.75	34.50						
8.5	15.50	19.00	18.50	15.00	16.75						



E-350 TYPE 3 FORD 2022

RIGHT EXT. VIEW

DATE 12/12/2022 SCALE

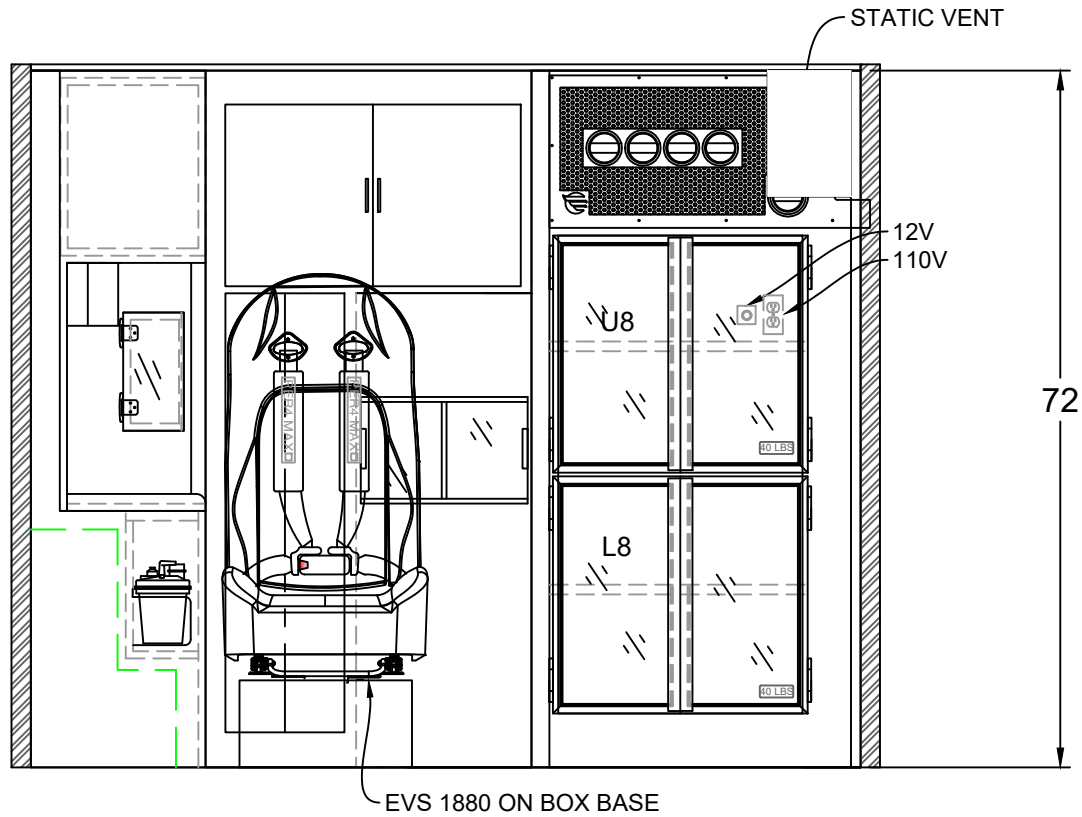
DRAWN BY NP DWG NO 3 / 9

49" AISLE


CA167167

EVEREST EV DEMO

148 x 90 x 72



BE ADVISED THAT THESE ARE PRELIMINARY LAYOUTS INTENDED TO ILLUSTRATE DESIGN INTENT AND DIMENSIONS ARE FOR REFERENCE ONLY PRIOR TO FINAL ENGINEERING

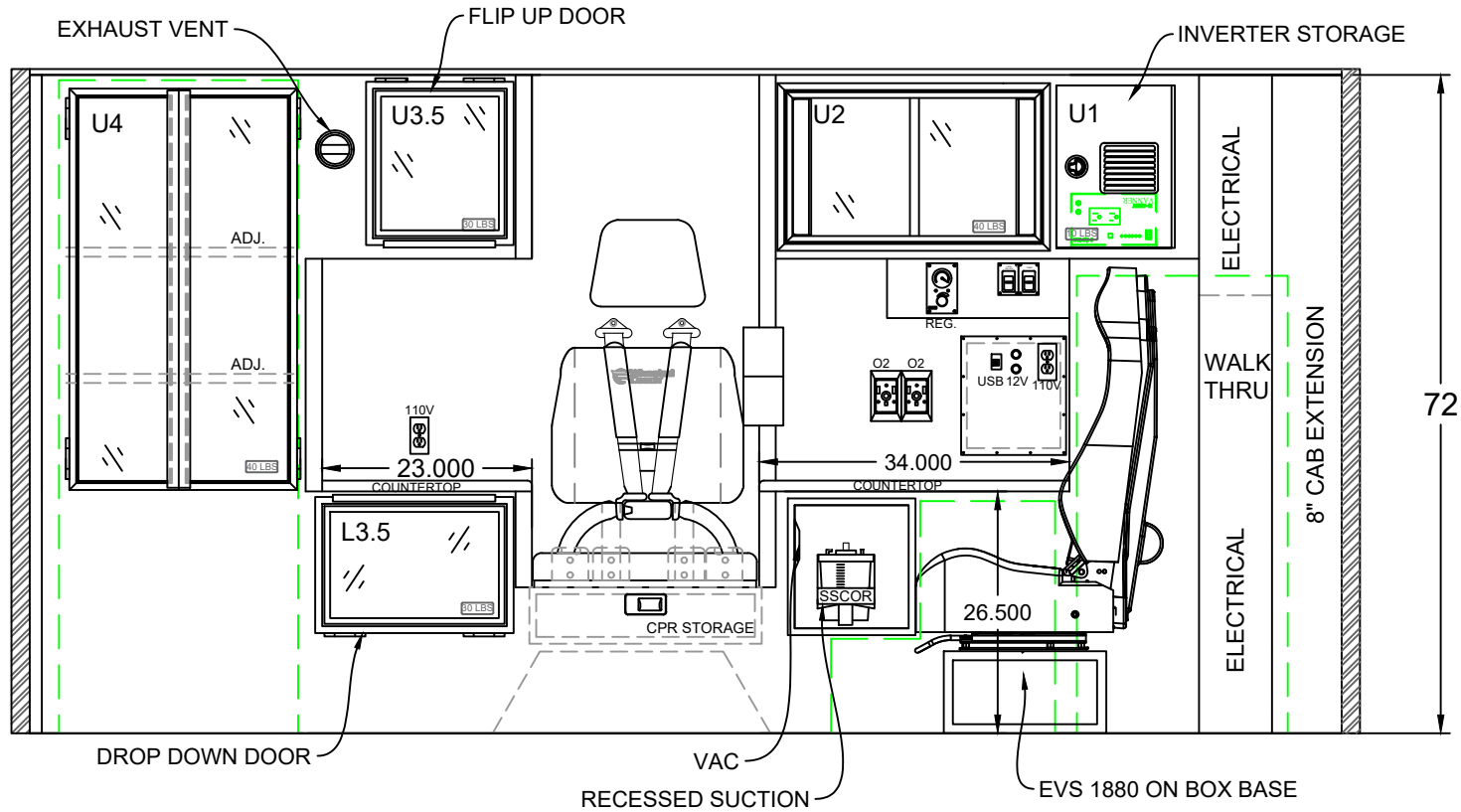
INTERIOR CABINET DIMENSIONS IN INCHES								
CABINET	HEIGHT	WIDTH	DEPTH	CABINET	HEIGHT	WIDTH	DEPTH	
U8	24.50	31.50	14.75					E-350 TYPE 3 FORD 2022 BULKHEAD INTERIOR
L8	24.50	31.50	14.75					
								DATE 12/12/2022 SCALE
								DRAWN BY NP DWG NO 4 / 9

49" AISLE

CA167167

EVEREST EV DEMO

148 x 90 x 72



INTERIOR CABINET DIMENSIONS IN INCHES

CABINET	HEIGHT	WIDTH	DEPTH		CABINET	HEIGHT	WIDTH	DEPTH	
U4	44.00	24.75	7.00						
U3.5	16.75	14.50	16.00		CPR	5.25	23.50	16.00	
U2	16.75	28.25	13.75						
U1	17.50	13.00	13.75						
L3.5	14.00	20.25	16.00						



E-350 TYPE 3 FORD 2022

LEFT INTERIOR

DATE: 12/12/2022 SCALE

DWN BY NP DWG NO 5 / 9

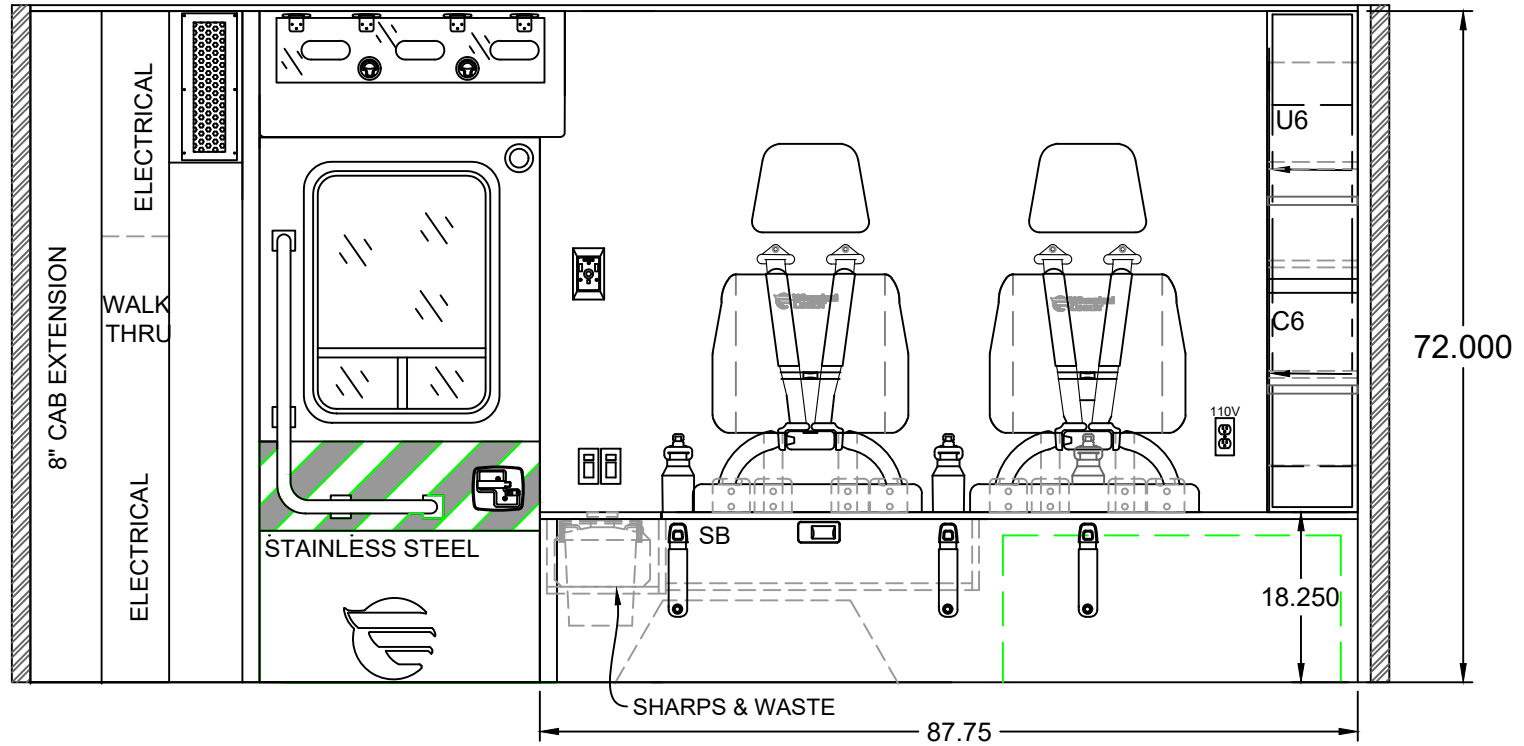
49" AISLE

BE ADVISED THAT THESE ARE PRELIMINARY LAYOUTS INTENDED TO ILLUSTRATE DESIGN INTENT AND DIMENSIONS ARE FOR REFERENCE ONLY PRIOR TO FINAL ENGINEERING

CA167167

EVEREST EV DEMO

148 x 90 x 72



INTERIOR CABINET DIMENSIONS IN INCHES



E-350 TYPE 3 FORD 2022
RIGHT INTERIOR

DATE: 12/12/2022 SCALE

DWN BY: NP DWG NO: 6 / 9

COMPT.	HEIGHT	WIDTH	DEPTH		COMPT.	HEIGHT	WIDTH	DEPTH	
SB	6.75	33.00	16.00						
U7.5/U7	5.00	34.50	7.00						

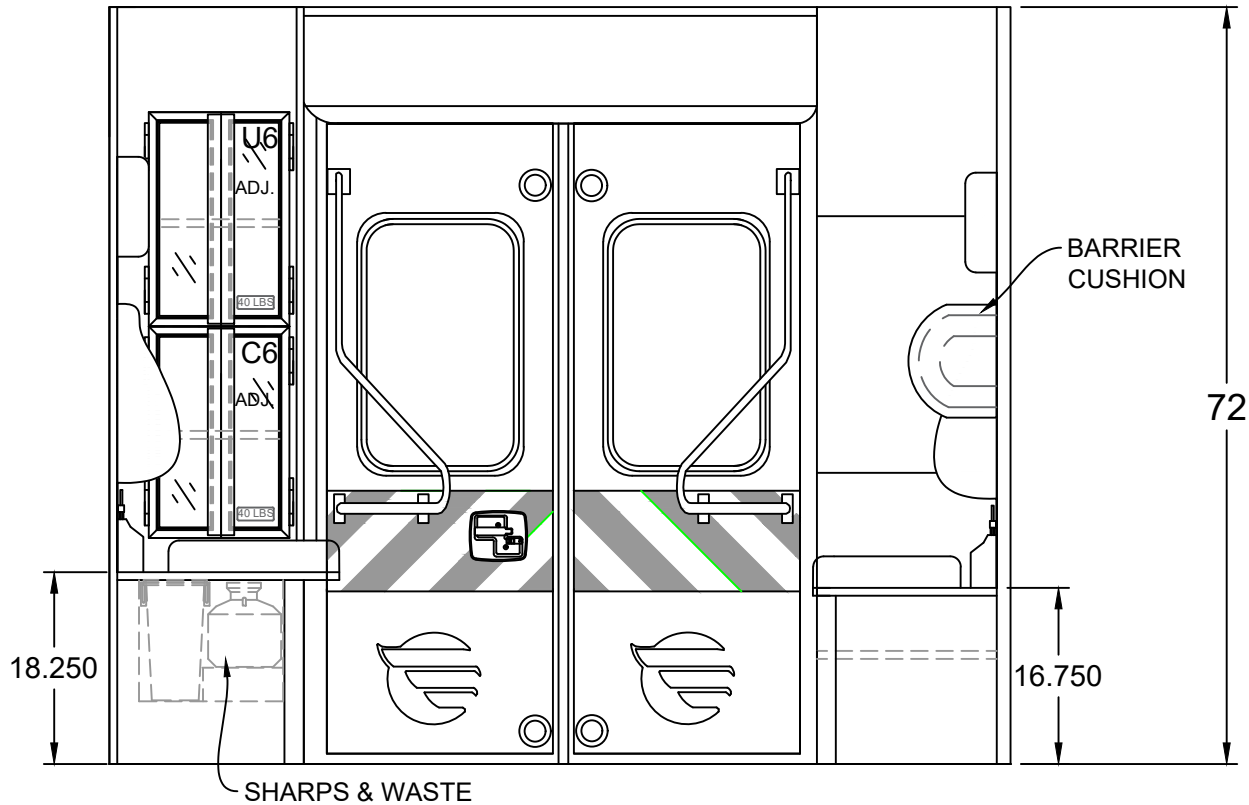
49" AISLE

BE ADVISED THAT THESE ARE PRELIMINARY LAYOUTS INTENDED TO ILLUSTRATE DESIGN INTENT AND DIMENSIONS ARE FOR REFERENCE ONLY PRIOR TO FINAL ENGINEERING

CA167167

EVEREST EV DEMO

148 x 90 x 72



INTERIOR CABINET DIMENSIONS IN INCHES



E-350 TYPE 3 FORD 2022

REAR BULKHEAD INTERIOR

DATE: 12/12/2022

SCALE

DWN BY

NP

DWG NO

7 / 9

COMPT.	HEIGHT	WIDTH	DEPTH		COMPT.	HEIGHT	WIDTH	DEPTH	
U6/C6	18.75	13.25	8.50						

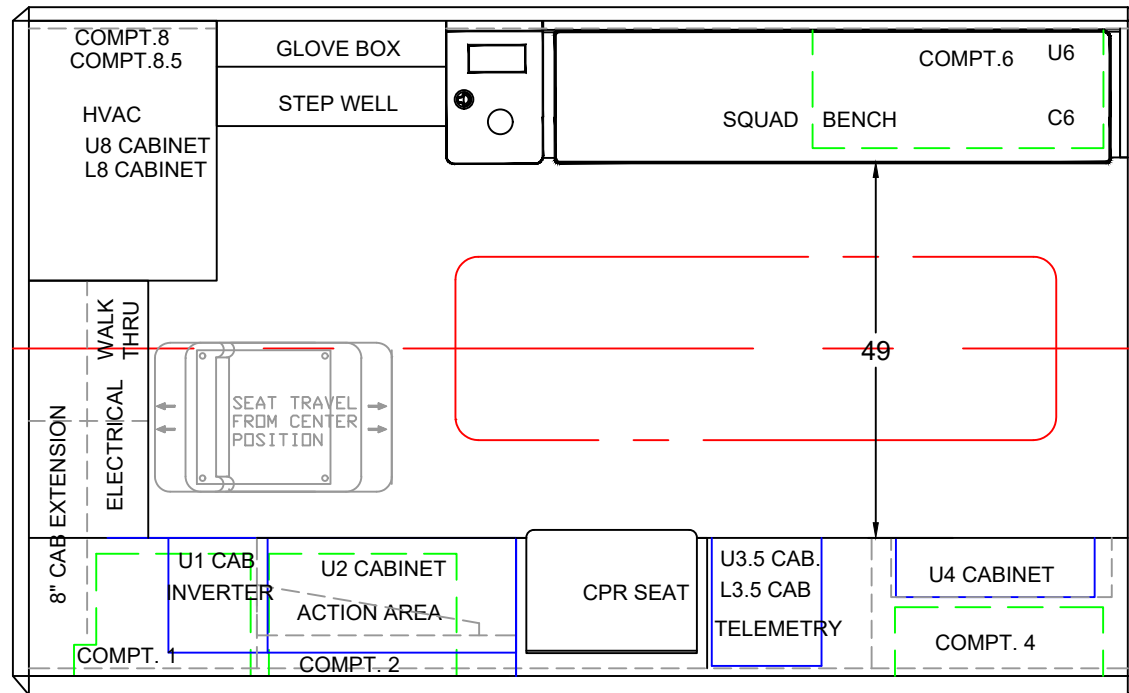
49" AISLE

BE ADVISED THAT THESE ARE PRELIMINARY LAYOUTS INTENDED TO ILLUSTRATE DESIGN INTENT AND DIMENSIONS ARE FOR REFERENCE ONLY PRIOR TO FINAL ENGINEERING

CA167167

EVEREST EV DEMO

148 x 90 x 72



BE ADVISED THAT THESE ARE PRELIMINARY LAYOUTS INTENDED TO ILLUSTRATE DESIGN INTENT AND DIMENSIONS ARE FOR REFERENCE ONLY PRIOR TO FINAL ENGINEERING

INTERIOR CABINET DIMENSIONS IN INCHES

CABINET	HEIGHT	WIDTH	DEPTH	CABINET	HEIGHT	WIDTH	DEPTH



E-350 TYPE 3 FORD 2022
FLOOR PLAN

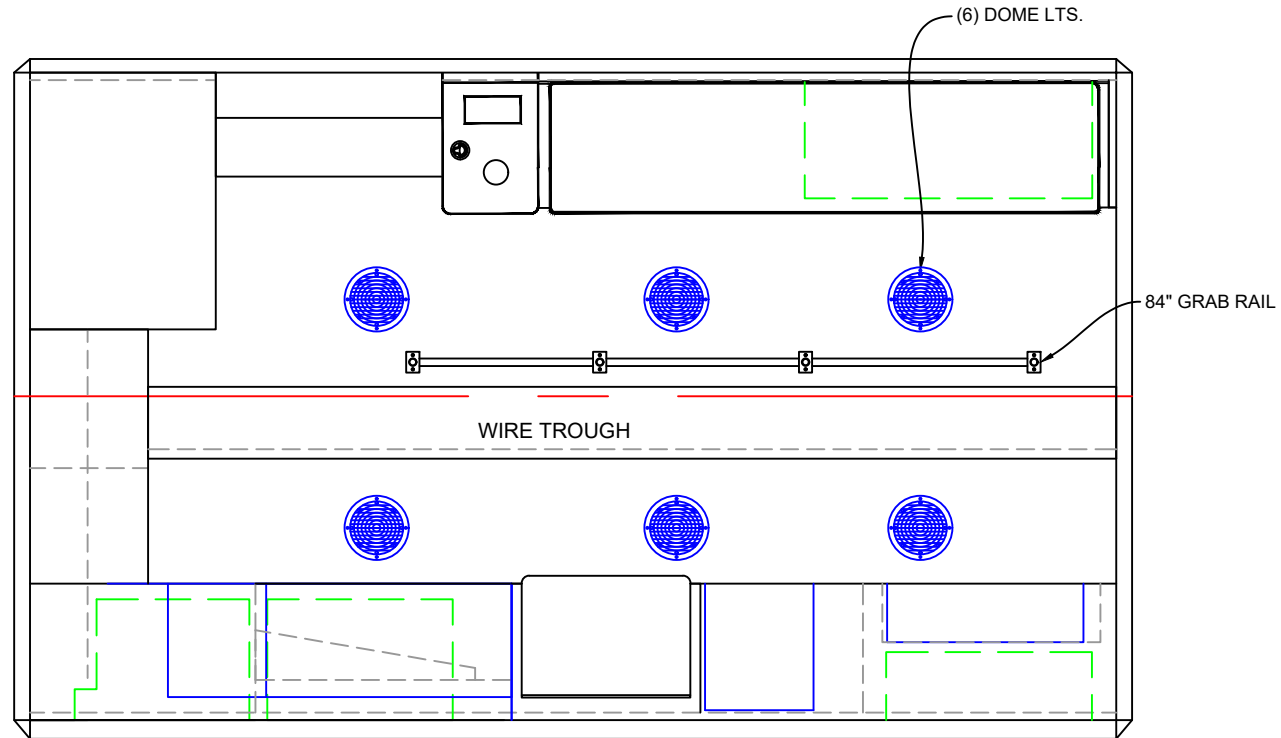
DATE: 12/12/2022 SCALE:
DWN BY: NP DWG NO: 8 / 9

49" AISLE


CA167167

EVEREST EV DEMO

148 x 90 x 72



BE ADVISED THAT THESE ARE PRELIMINARY LAYOUTS INTENDED TO ILLUSTRATE DESIGN INTENT AND DIMENSIONS ARE FOR REFERENCE ONLY PRIOR TO FINAL ENGINEERING

INTERIOR CABINET DIMENSIONS IN INCHES								
CABINET	HEIGHT	WIDTH	DEPTH	CABINET	HEIGHT	WIDTH	DEPTH	
								E-350 TYPE 3 FORD 2022
								LINER
								DATE: 12/12/2022 SCALE
								DWN BY: NP DWG NO: 9 / 9

49" AISLE