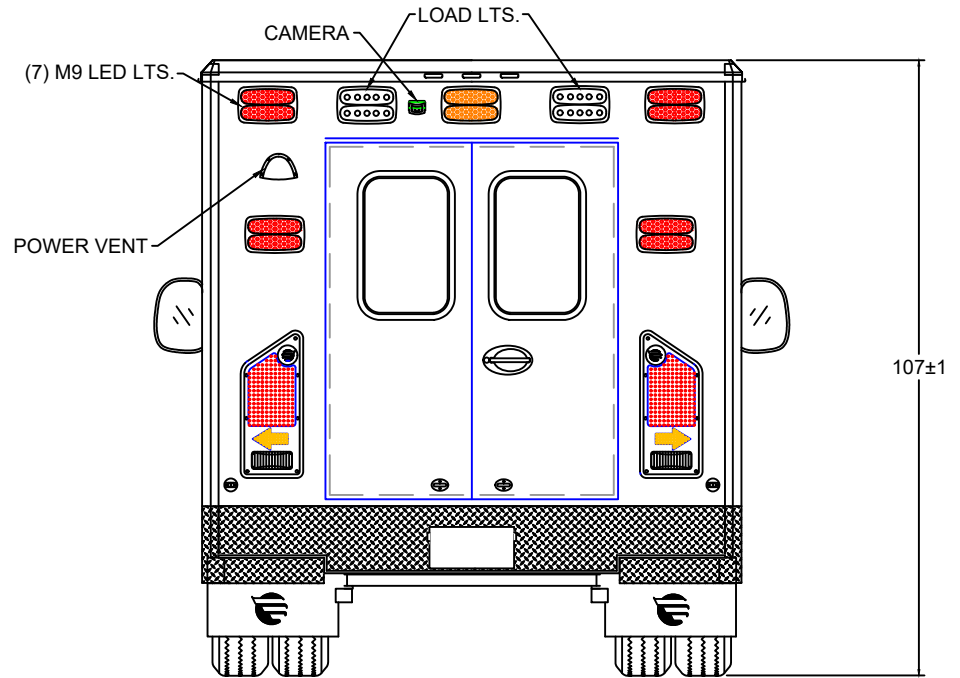
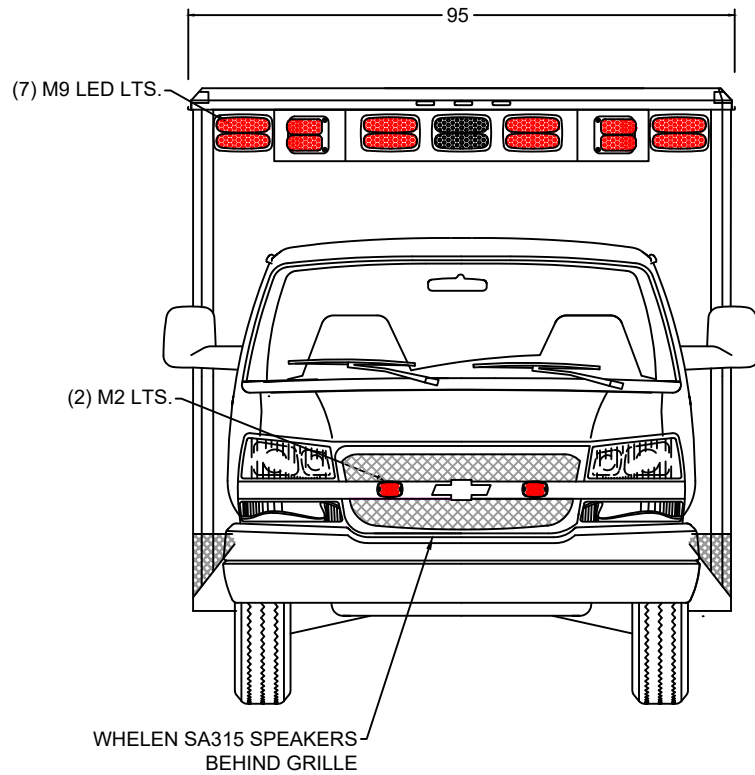


CA167292

STOCK UNIT

170 x 95 x 72



EXTERIOR COMPARTMENT DIMENSIONS IN INCHES

INTERIOR DIMENSIONS				PASS THRU		INTERIOR DIMENSIONS				JAMB OPENING	
COMPT.	HEIGHT	WIDTH	DEPTH	HEIGHT	WIDTH	COMPT.	HEIGHT	WIDTH	DEPTH	HEIGHT	WIDTH



TYPE 3 CHEVY
FRONT / REAR
EXTERIOR VIEWS

50" AISLE

BE ADVISED THAT THESE ARE PRELIMINARY LAYOUTS INTENDED TO ILLUSTRATE DESIGN INTENT AND DIMENSIONS ARE FOR REFERENCE ONLY PRIOR TO FINAL ENGINEERING

DATE: 9/28/2023

SCALE

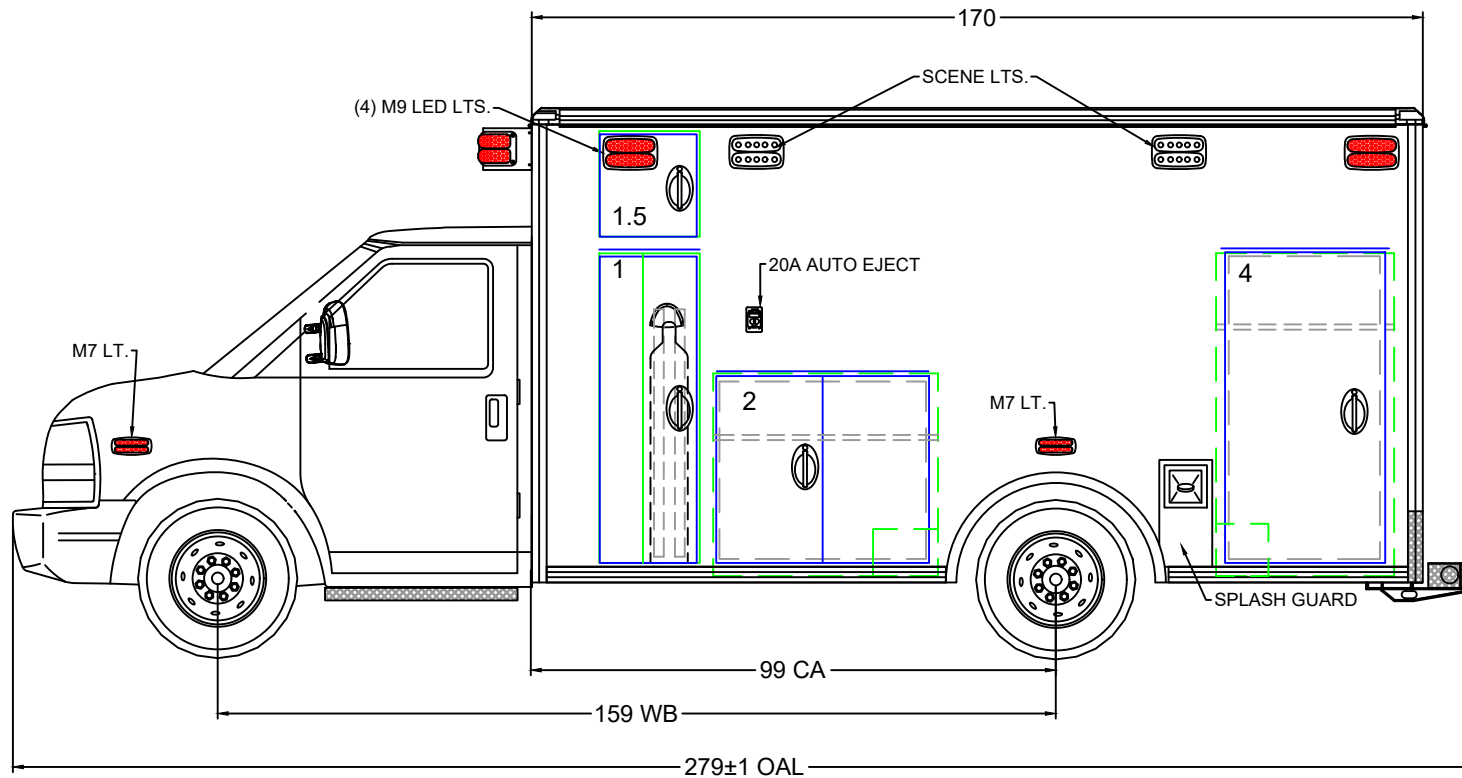
OWN BY: NP

DWG NO: 1 / 9

CA167292

STOCK UNIT

170 x 95 x 72



BE ADVISED THAT THESE ARE PRELIMINARY LAYOUTS INTENDED TO ILLUSTRATE DESIGN INTENT AND DIMENSIONS ARE FOR REFERENCE ONLY PRIOR TO FINAL ENGINEERING

EXTERIOR COMPARTMENT DIMENSIONS IN INCHES											
INTERIOR DIMENSIONS				JAMB OPENING		INTERIOR DIMENSIONS				JAMB OPENING	
COMPT.	HEIGHT	WIDTH	DEPTH	HEIGHT	WIDTH	COMPT.	HEIGHT	WIDTH	DEPTH	HEIGHT	WIDTH
4	61.66	34.00	17.00	58.50	30.50						
2	38.75	42.63	17.00	35.63	40.32						
1	59.00	19.32	21.28/17.16	58.50	18.51						
1.5	20.16	19.25	17.16	19.57	18.51						
50" AISLE											



TYPE 3 CHEVY
LEFT EXT. VIEW

DATE 9/28/20203

SCALE

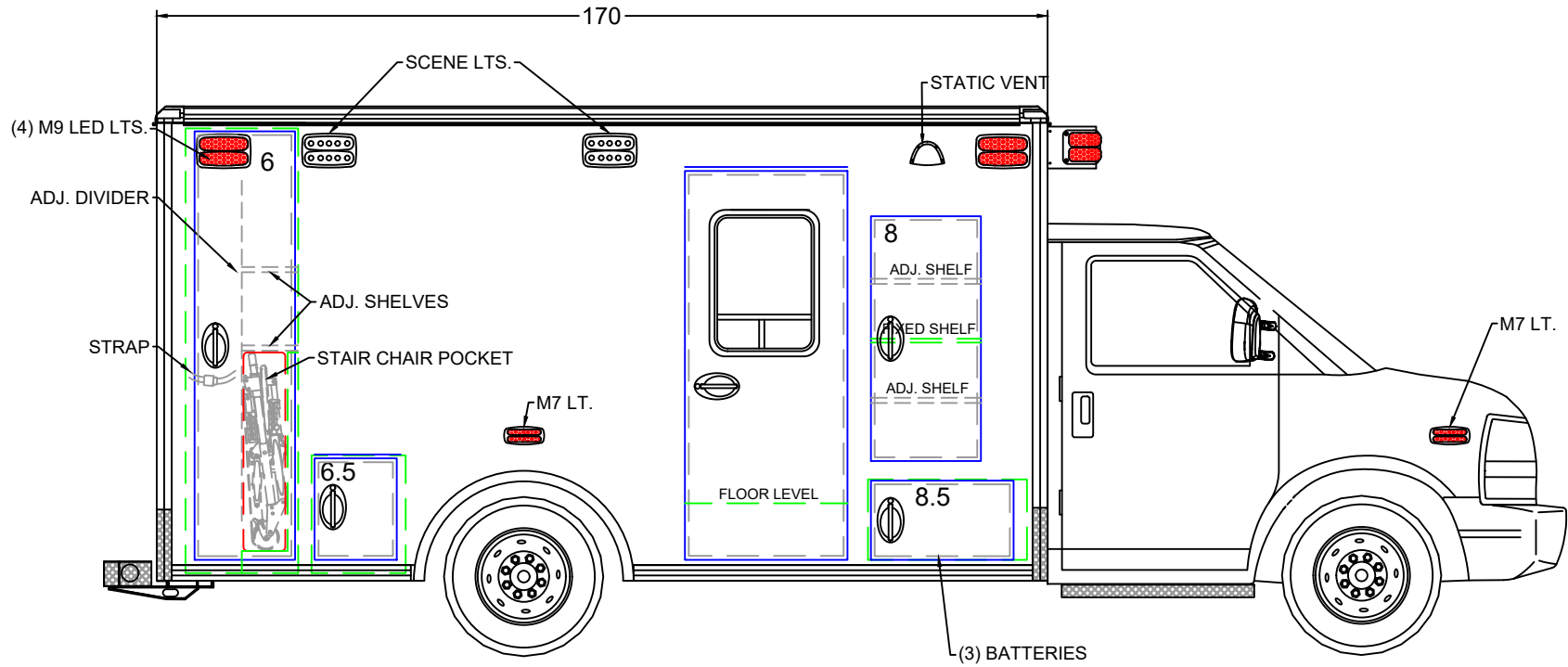
DRAWN BY NP

DWG NO 2 / 9


CA167292

STOCK UNIT

170 x 95 x 72



BE ADVISED THAT THESE ARE PRELIMINARY LAYOUTS INTENDED TO ILLUSTRATE DESIGN INTENT AND DIMENSIONS ARE FOR REFERENCE ONLY PRIOR TO FINAL ENGINEERING

EXTERIOR COMPARTMENT DIMENSIONS IN INCHES												
INTERIOR DIMENSIONS				JAMB OPENING		INTERIOR DIMENSIONS				JAMB OPENING		
COMPT.	HEIGHT	WIDTH	DEPTH	HEIGHT	WIDTH	COMPT.	HEIGHT	WIDTH	DEPTH	HEIGHT	WIDTH	
8				46.75	21.00							
8.5	15.25	30.25	19.00	15.13	27.25							
6.5	22.50	18.00	15.66	19.38	15.70							
6	85.00	21.50	18.53	81.88	19.20							
50" AISLE												DATE: 9/28/2020 SCALE: DRAWN BY: NP DWG NO: 3 / 9



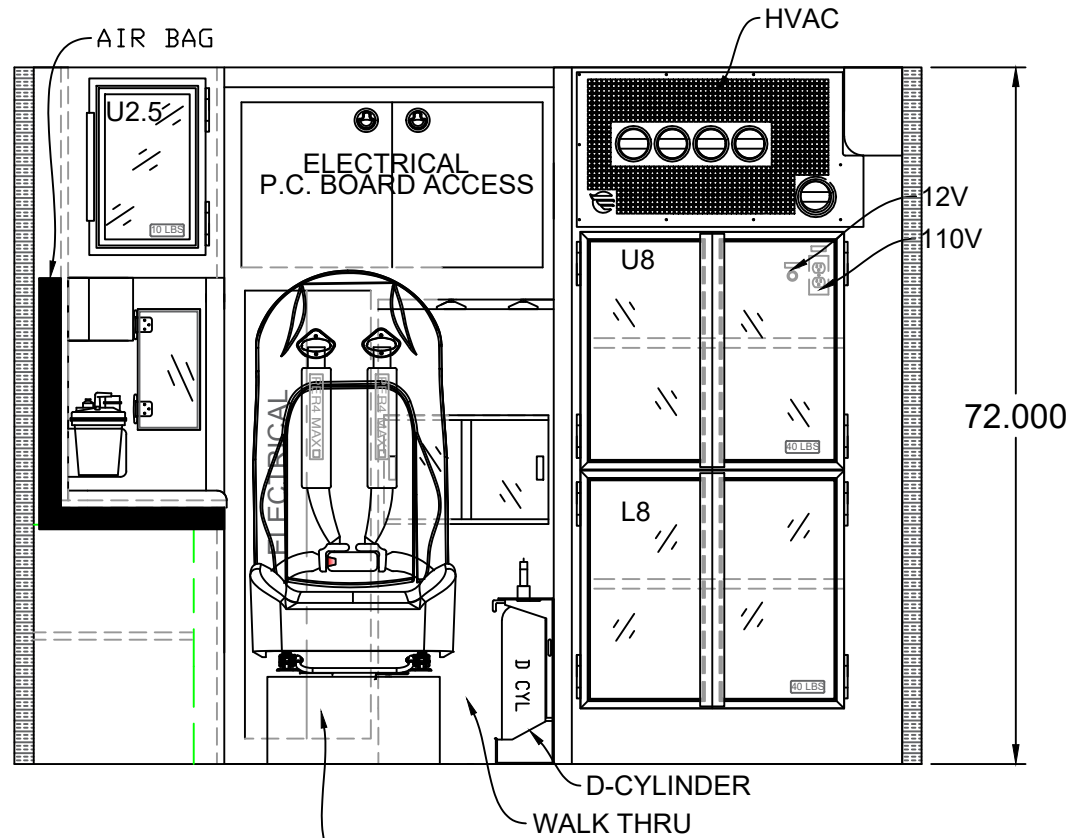
TYPE 3 CHEVY
RIGHT EXT. VIEW

DATE: 9/28/2020
SCALE:
DRAWN BY: NP
DWG NO: 3 / 9

CA167292

STOCK UNIT

170 x 95 x 72



BE ADVISED THAT THESE ARE PRELIMINARY LAYOUTS INTENDED TO ILLUSTRATE DESIGN INTENT AND DIMENSIONS ARE FOR REFERENCE ONLY PRIOR TO FINAL ENGINEERING

CABINET WEIGHT RATINGS:
NON-RESTOCKING = 40 LBS.
RESTOCKING = 30 LBS.

INTERIOR CABINET DIMENSIONS IN INCHES

CABINET	HEIGHT	WIDTH	DEPTH	CABINET	HEIGHT	WIDTH	DEPTH
U8	24.50	33.50	25.75				
L8	24.50	33.50	25.75				



TYPE 3 CHEVY
BULKHEAD INTERIOR

DATE 9/28/20203

SCALE

DRAWN BY NP

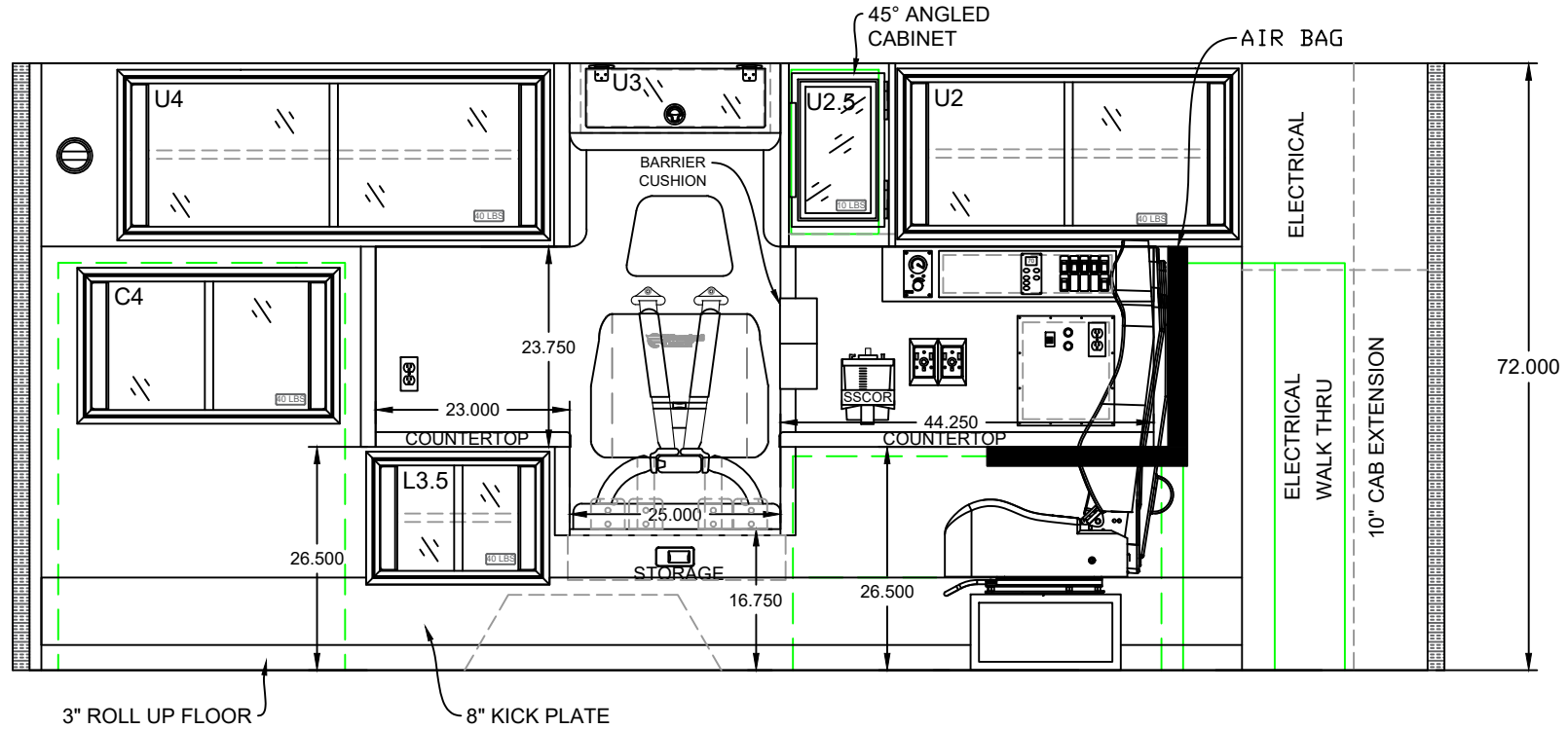
DWG NO 4 / 9

50" AISLE

CA167292

STOCK UNIT

170 x 95 x 72



INTERIOR CABINET DIMENSIONS IN INCHES



TYPE 3 CHEVY
LEFT INTERIOR

DATE: 9/28/2020 SCALE:

DWN BY: NP DWG NO: 5 / 9

CABINET	HEIGHT	WIDTH	DEPTH		CABINET	HEIGHT	WIDTH	DEPTH	
C4	17.00	29.50	IS/OS		L3.5	14.25	20.25	17.50	
U4	18.75	49.75	17.50		CPR SEAT	4.50	23.50	17.50	
U3.5	5.75	21.00	4.50						
U2.5	19.50	12.00	15.25						
U2	18.75	39.00	15.25						

50" AISLE

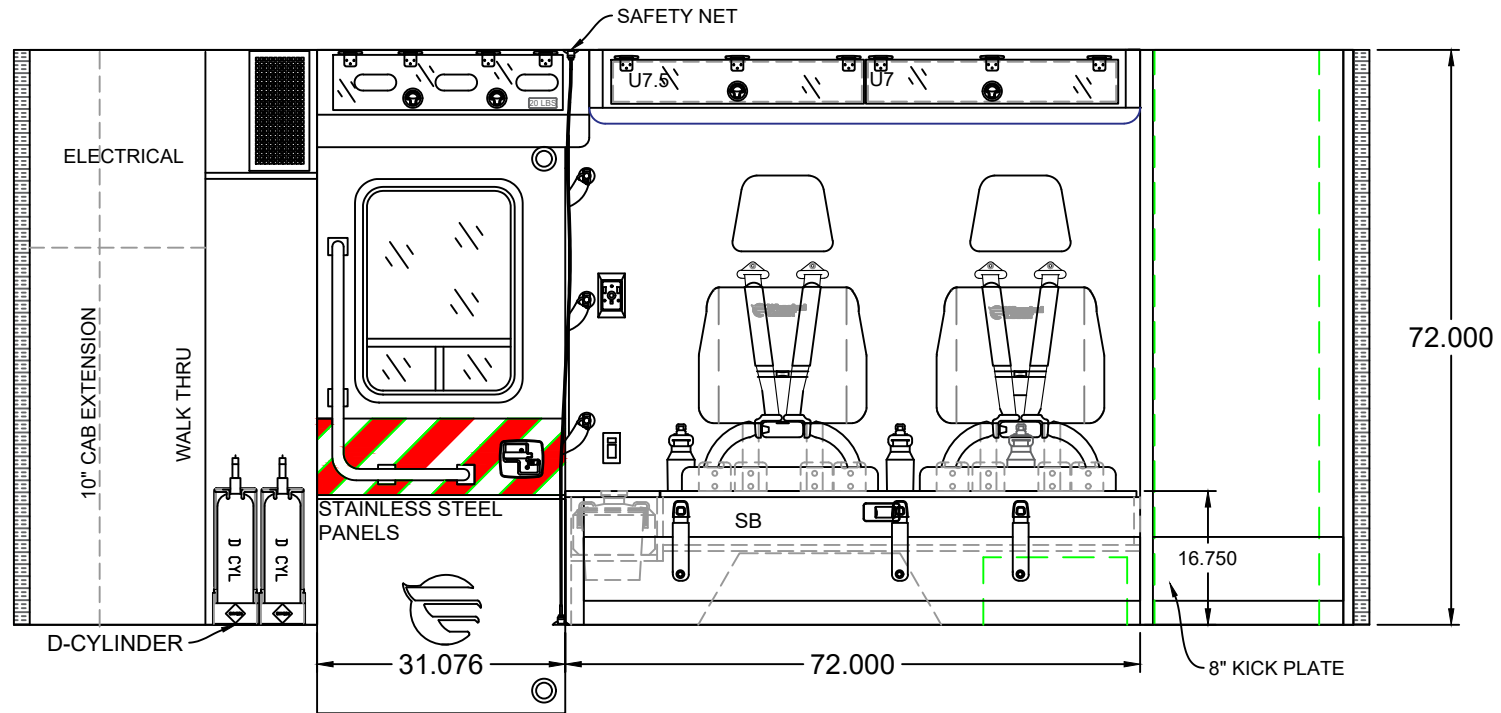
CABINET WEIGHT RATINGS:
NON-RESTOCKING = 40 LBS.
RESTOCKING = 30 LBS.

BE ADVISED THAT THESE ARE PRELIMINARY LAYOUTS INTENDED TO ILLUSTRATE DESIGN INTENT AND DIMENSIONS ARE FOR REFERENCE ONLY PRIOR TO FINAL ENGINEERING

CA167292

STOCK UNIT

170 x 95 x 72



INTERIOR CABINET DIMENSIONS IN INCHES



TYPE 3 CHEVY
RIGHT INTERIOR

DATE: 9/28/20203

SCALE

DWN BY

NP

DWG NO

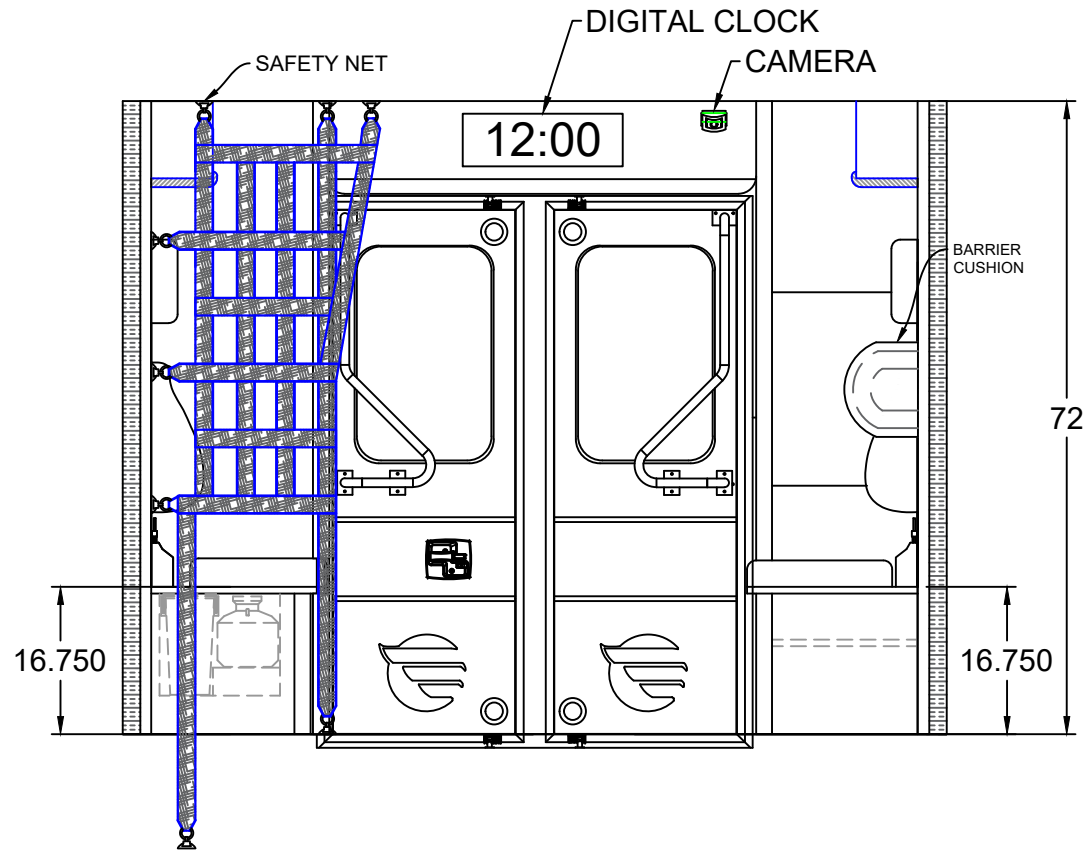
6 / 9

COMPT.	HEIGHT	WIDTH	DEPTH		COMPT.	HEIGHT	WIDTH	DEPTH	
U7.5/U7	5.00	31.25	7.00						
SB	6.00	59.00	16.75						
50" AISLE				<p>CABINET WEIGHT RATINGS: NON-RESTOCKING = 40 LBS. RESTOCKING = 30 LBS.</p>	<p>BE ADVISED THAT THESE ARE PRELIMINARY LAYOUTS INTENDED TO ILLUSTRATE DESIGN INTENT AND DIMENSIONS ARE FOR REFERENCE ONLY PRIOR TO FINAL ENGINEERING</p>				

CA167292

STOCK UNIT

170 x 95 x 72



INTERIOR CABINET DIMENSIONS IN INCHES



TYPE 3 CHEVY

REAR BULKHEAD INTERIOR

DATE: 9/28/2020 SCALE

DWG BY: NP DWG NO: 7 / 9

COMPT.	HEIGHT	WIDTH	DEPTH		COMPT.	HEIGHT	WIDTH	DEPTH	

50" AISLE

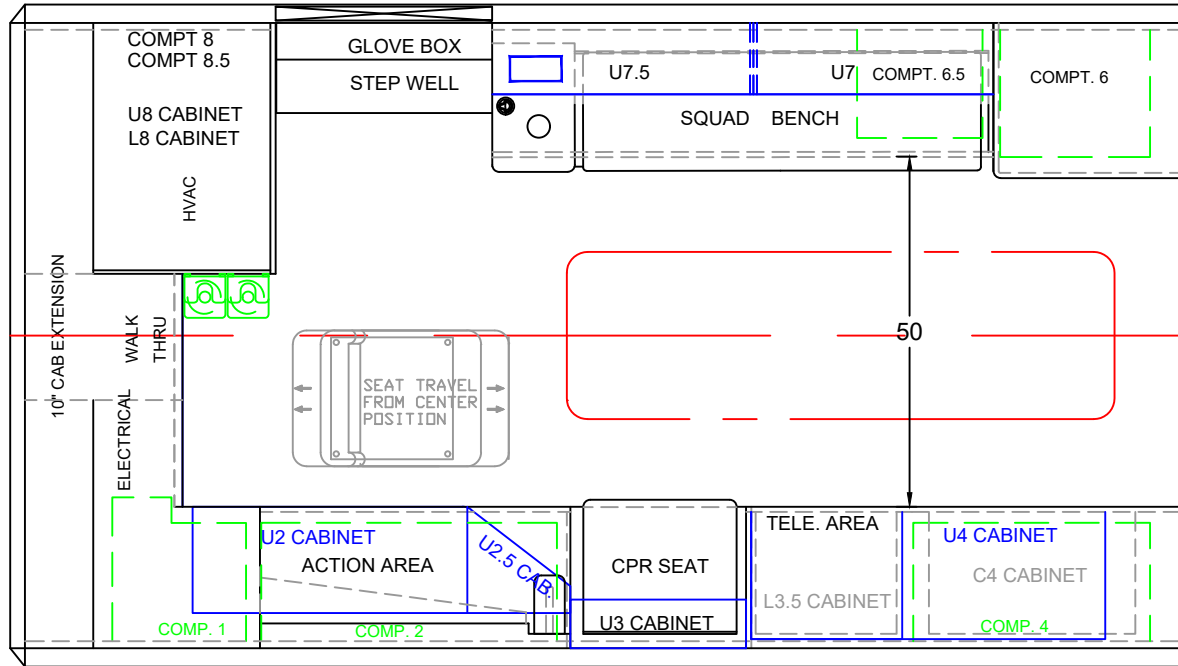
CABINET WEIGHT RATINGS:
NON-RESTOCKING = 40 LBS.
RESTOCKING = 30 LBS.

BE ADVISED THAT THESE ARE PRELIMINARY LAYOUTS INTENDED TO ILLUSTRATE DESIGN INTENT AND DIMENSIONS ARE FOR REFERENCE ONLY PRIOR TO FINAL ENGINEERING

CA167292

STOCK UNIT

170 x 95 x 72



BE ADVISED THAT THESE ARE PRELIMINARY LAYOUTS INTENDED TO ILLUSTRATE DESIGN INTENT AND DIMENSIONS ARE FOR REFERENCE ONLY PRIOR TO FINAL ENGINEERING

CABINET WEIGHT RATINGS:
NON-RESTOCKING = 40 LBS.
RESTOCKING = 30 LBS.

50" AISLE

INTERIOR CABINET DIMENSIONS IN INCHES

CABINET	HEIGHT	WIDTH	DEPTH	CABINET	HEIGHT	WIDTH	DEPTH



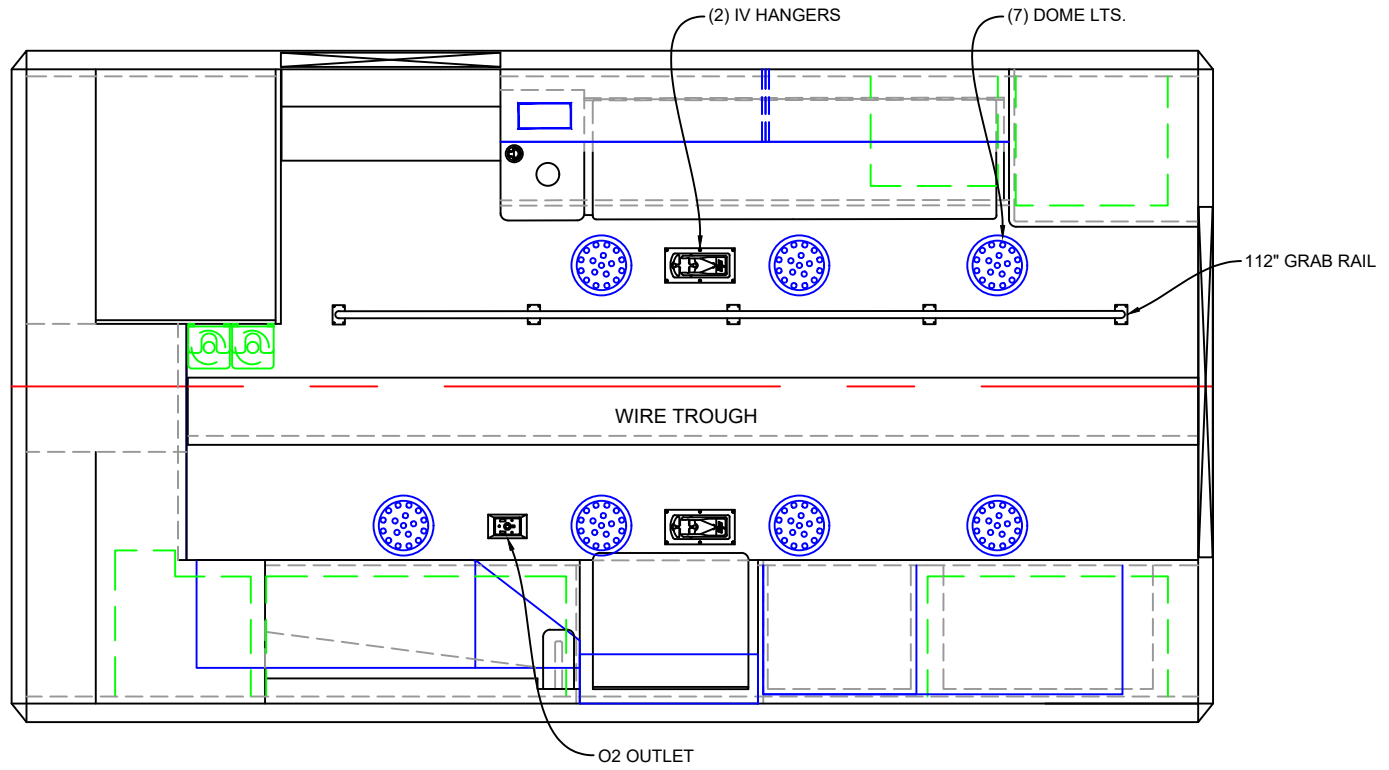
TYPE 3 CHEVY
FLOOR PLAN

DATE:	9/28/2020	SCALE:	
DWG BY:	NP	DWG NO:	8 / 9

CA167292

STOCK UNIT

170 x 95 x 72



BE ADVISED THAT THESE ARE PRELIMINARY LAYOUTS INTENDED TO ILLUSTRATE DESIGN INTENT AND DIMENSIONS ARE FOR REFERENCE ONLY PRIOR TO FINAL ENGINEERING

CABINET WEIGHT RATINGS:
 NON-RESTOCKING = 40 LBS.
 RESTOCKING = 30 LBS.

50" AISLE

INTERIOR CABINET DIMENSIONS IN INCHES

CABINET	HEIGHT	WIDTH	DEPTH	CABINET	HEIGHT	WIDTH	DEPTH



TYPE 3 CHEVY
 LINER

DATE: 9/28/20203

SCALE

DWN BY NP

DWG NO 9 / 9