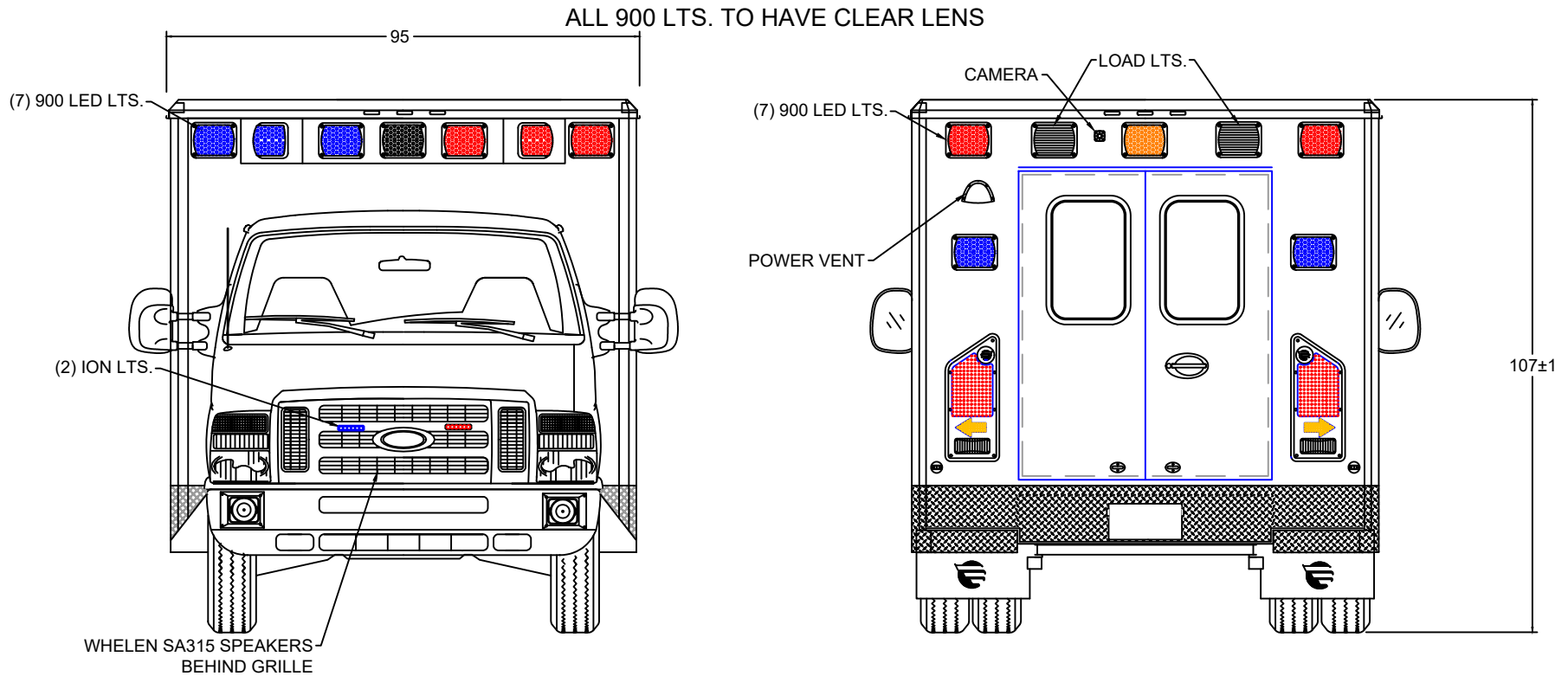


CA166646

EVEREST EV DEMO

170 x 95 x 72



EXTERIOR COMPARTMENT DIMENSIONS IN INCHES

INTERIOR DIMENSIONS				PASS THRU		INTERIOR DIMENSIONS				JAMB OPENING	
COMPT.	HEIGHT	WIDTH	DEPTH	HEIGHT	WIDTH	COMPT.	HEIGHT	WIDTH	DEPTH	HEIGHT	WIDTH



TYPE 3 FORD E450 2022  
FRONT / REAR  
EXTERIOR VIEWS

BE ADVISED THAT THESE ARE PRELIMINARY LAYOUTS INTENDED TO ILLUSTRATE DESIGN INTENT AND DIMENSIONS ARE FOR REFERENCE ONLY PRIOR TO FINAL ENGINEERING

DATE: 2/18/25

SCALE

OWN BY: NP/DLM

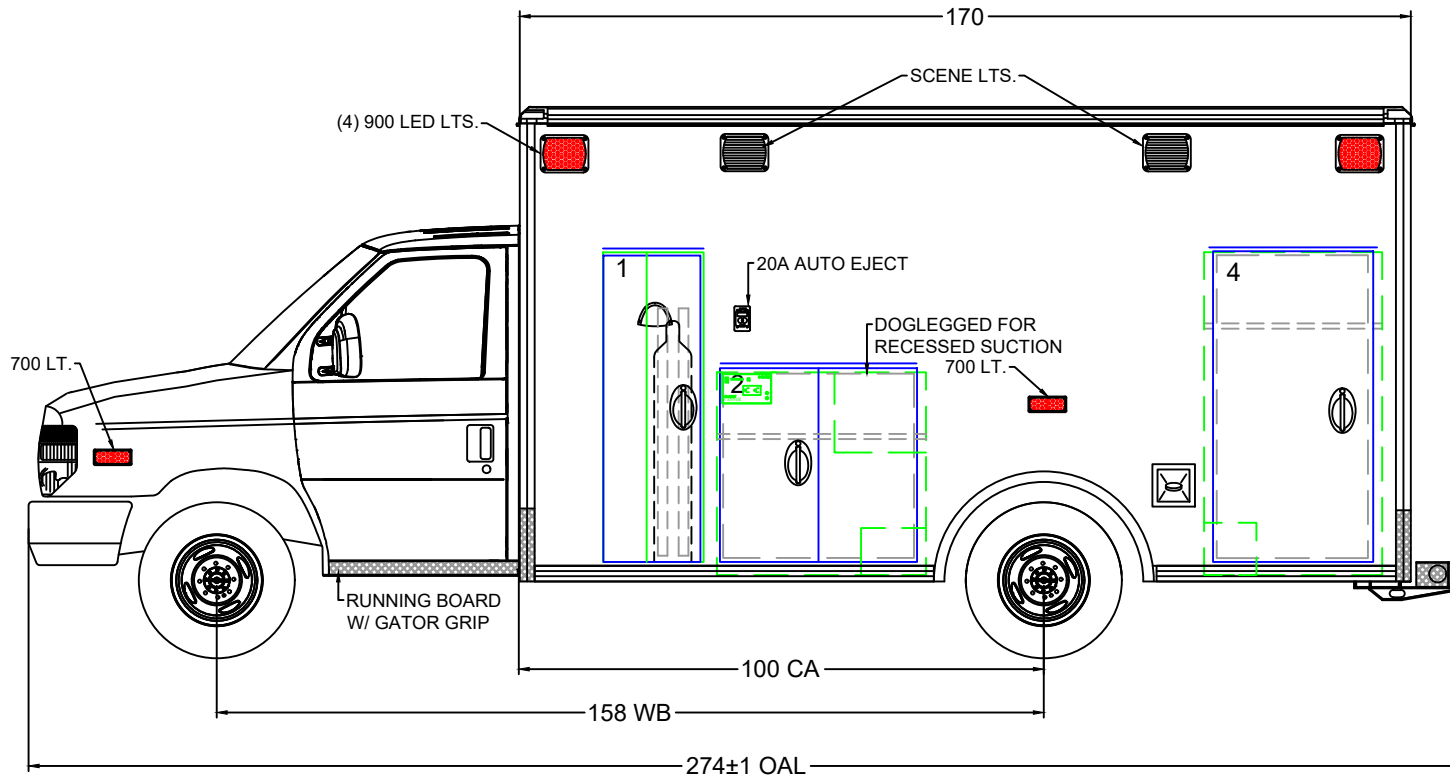
DWG NO: 1 / 9

50" AISLE

CA166646

EVEREST EV DEMO

170 x 95 x 72



BE ADVISED THAT THESE ARE PRELIMINARY LAYOUTS INTENDED TO ILLUSTRATE DESIGN INTENT AND DIMENSIONS ARE FOR REFERENCE ONLY PRIOR TO FINAL ENGINEERING

EXTERIOR COMPARTMENT DIMENSIONS IN INCHES											
INTERIOR DIMENSIONS				JAMB OPENING		INTERIOR DIMENSIONS				JAMB OPENING	
COMPT.	HEIGHT	WIDTH	DEPTH	HEIGHT	WIDTH	COMPT.	HEIGHT	WIDTH	DEPTH	HEIGHT	WIDTH
4	61.50	34.00	17.00	58.50	30.50						
2	38.75	40.00	17.00	37.00	37.50						
1	59.00	19.00	21.75/17.00	58.50	18.50						



TYPE 3 FORD E450 2022

LEFT EXT. VIEW

DATE 2/18/25

SCALE

DRAWN BY NP/DLM

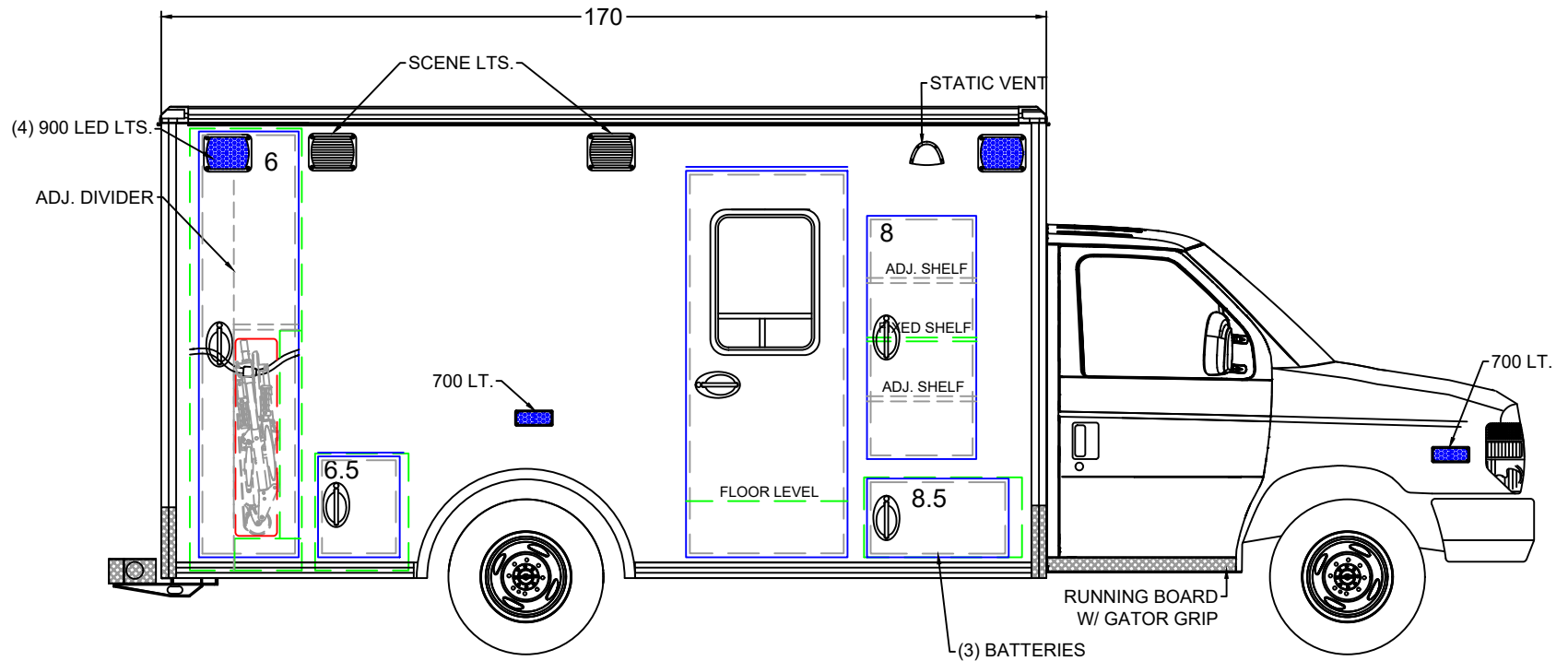
DWG NO 2 / 9

50" AISLE


CA166646

EVEREST EV DEMO

170 x 95 x 72



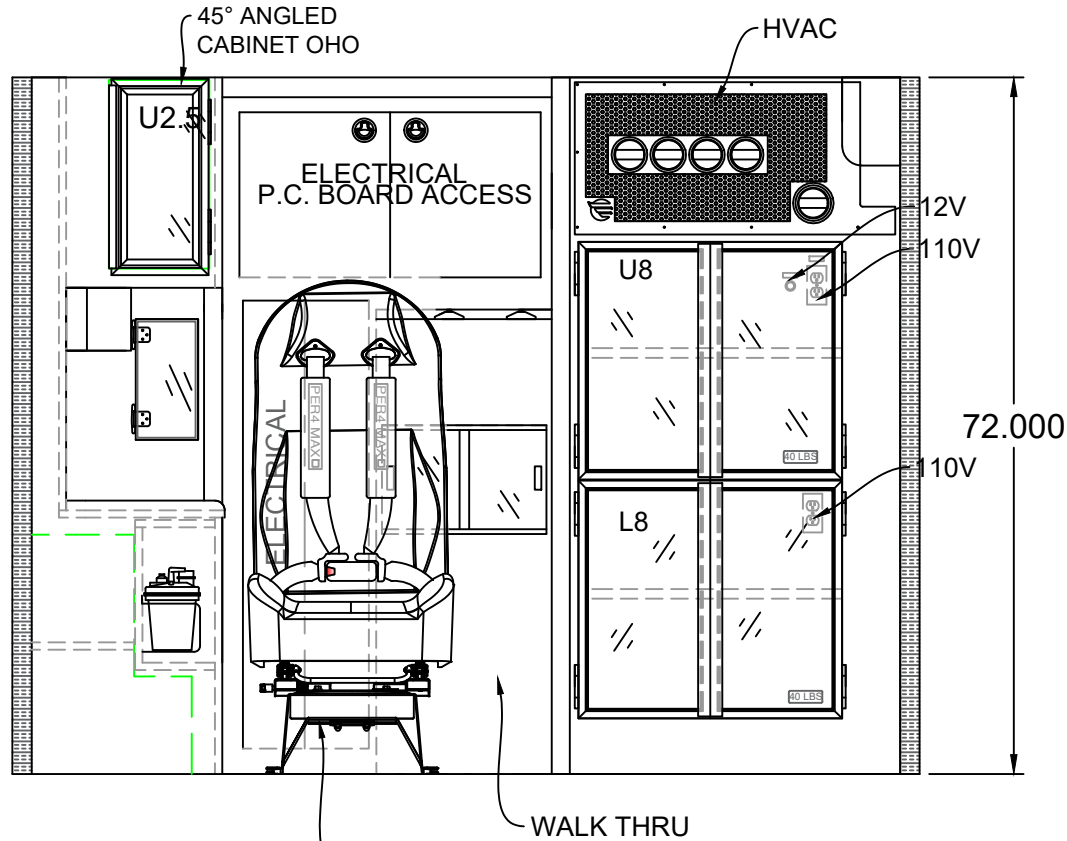
BE ADVISED THAT THESE ARE PRELIMINARY LAYOUTS INTENDED TO ILLUSTRATE DESIGN INTENT AND DIMENSIONS ARE FOR REFERENCE ONLY PRIOR TO FINAL ENGINEERING

EXTERIOR COMPARTMENT DIMENSIONS IN INCHES												
INTERIOR DIMENSIONS				JAMB OPENING		INTERIOR DIMENSIONS				JAMB OPENING		
COMPT.	HEIGHT	WIDTH	DEPTH	HEIGHT	WIDTH	COMPT.	HEIGHT	WIDTH	DEPTH	HEIGHT	WIDTH	
8					21.00							TYPE 3 FORD E450 2022 RIGHT EXT. VIEW
8.5	15.25	30.25	19.00	15.00	27.25							
6.5	22.50	18.00	15.50	19.25	15.50							
6	85.00	21.50	18.25	81.75	19.00							
50" AISLE												DATE: 2/18/25 DRAWN BY: NP/DLM SCALE: DWG NO: 3 / 9

CA166646

EVEREST EV DEMO

170 x 95 x 72



BE ADVISED THAT THESE ARE PRELIMINARY LAYOUTS INTENDED TO ILLUSTRATE DESIGN INTENT AND DIMENSIONS ARE FOR REFERENCE ONLY PRIOR TO FINAL ENGINEERING

CABINET WEIGHT RATINGS:  
 NON-RESTOCKING = 40 LBS.  
 RESTOCKING = 30 LBS.

INTERIOR CABINET DIMENSIONS IN INCHES

CABINET	HEIGHT	WIDTH	DEPTH	CABINET	HEIGHT	WIDTH	DEPTH
U8	24.50	33.50	23.25				
L8	24.50	33.50	23.25				



TYPE 3 FORD E450 2022  
 BULKHEAD INTERIOR

DATE 2/18/25

SCALE

DRAWN BY NP/DLM

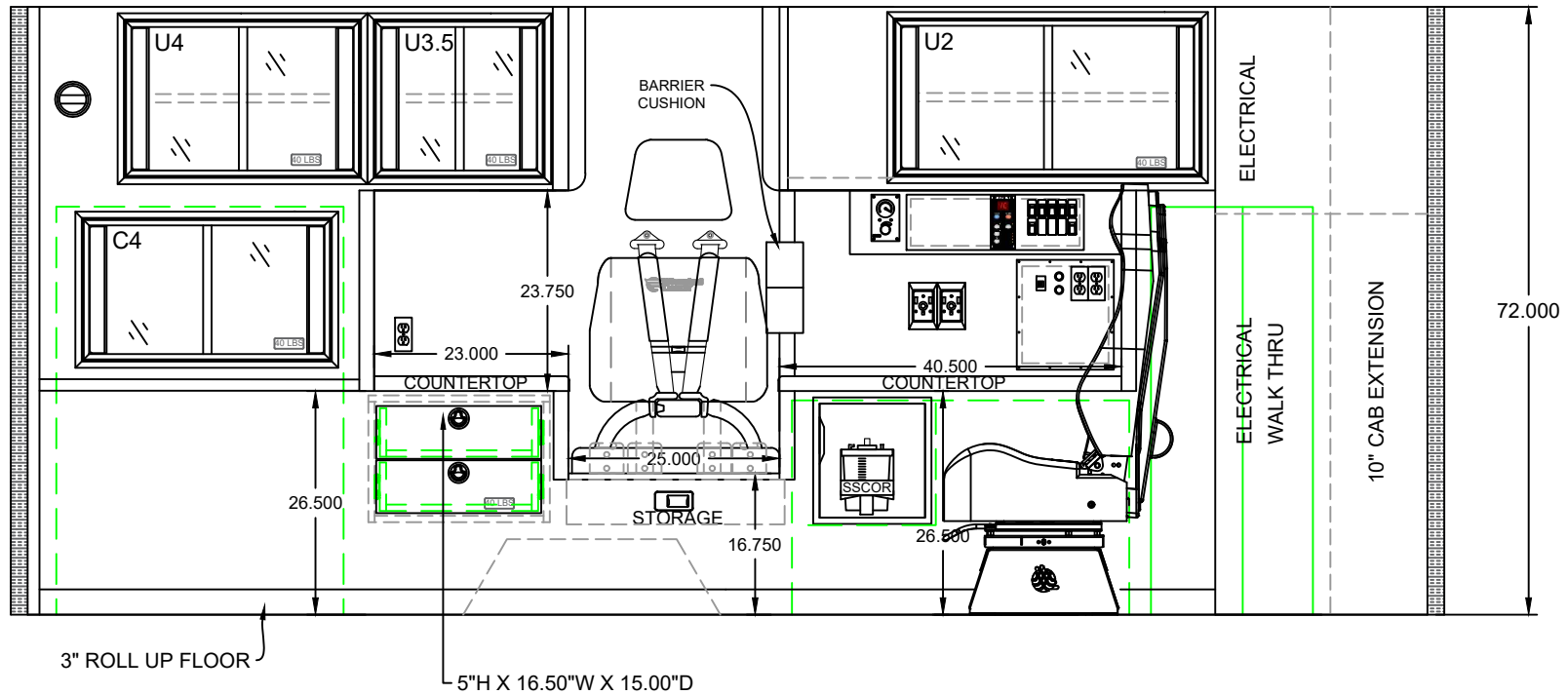
DWG NO 4 / 9

50" AISLE

CA166646

EVEREST EV DEMO

170 x 95 x 72



INTERIOR CABINET DIMENSIONS IN INCHES

CABINET	HEIGHT	WIDTH	DEPTH		CABINET	HEIGHT	WIDTH	DEPTH	
C4	17.00	29.50	IS/OS		L3.5	14.25	20.25	17.50	
U4	18.75	28.00	17.50		CPR SEAT	4.50	23.50	17.50	
U3.5	18.75	20.25	17.50						
U2.5	19.50	12.00	15.25						
U2	18.75	36.50	15.25						

**Wheeled Coach**

TYPE 3 FORD E450 2022

LEFT INTERIOR

DATE: 2/18/25 SCALE:

DWN BY: NP/DLM DWG NO: 5 / 9

50" AISLE

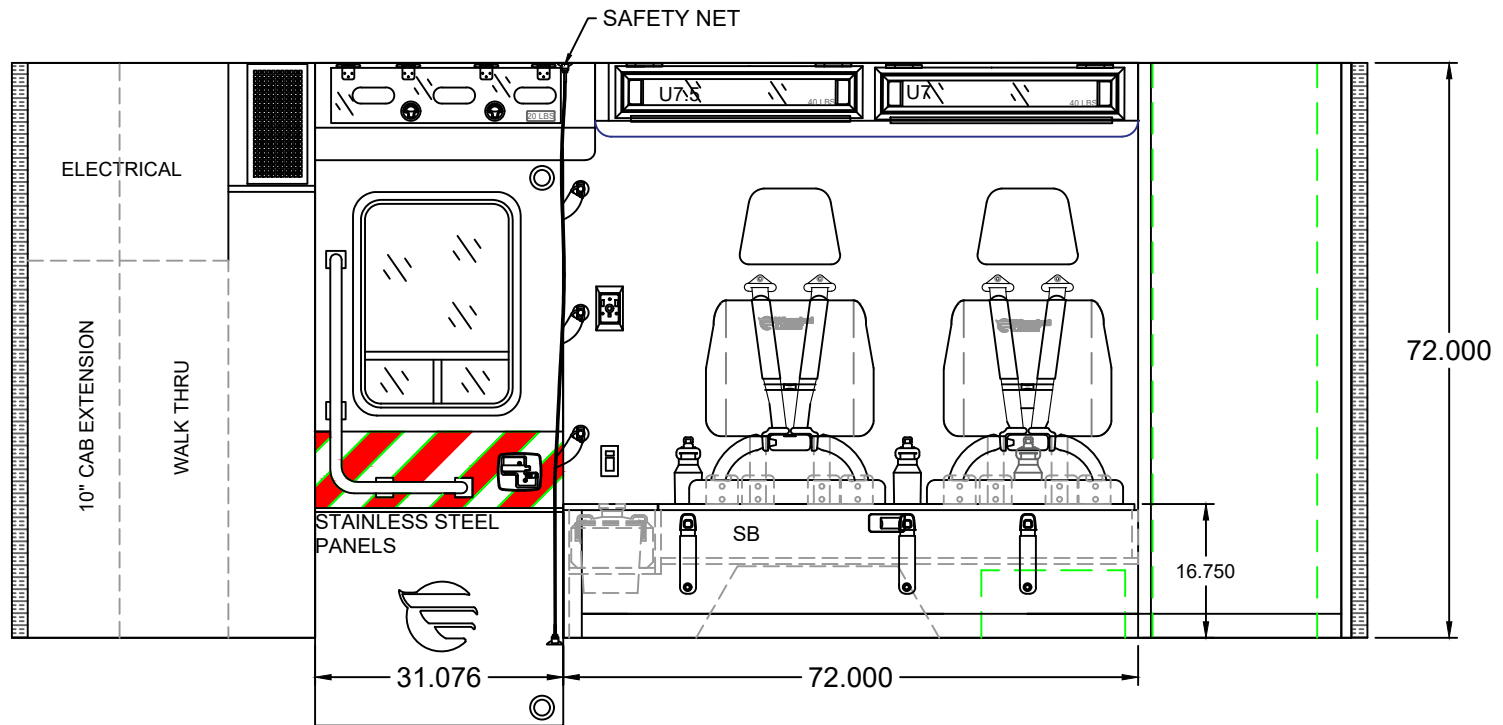
CABINET WEIGHT RATINGS:  
NON-RESTOCKING = 40 LBS.  
RESTOCKING = 30 LBS.

BE ADVISED THAT THESE ARE PRELIMINARY LAYOUTS INTENDED TO ILLUSTRATE DESIGN INTENT AND DIMENSIONS ARE FOR REFERENCE ONLY PRIOR TO FINAL ENGINEERING

CA166646

EVEREST EV DEMO

170 x 95 x 72



INTERIOR CABINET DIMENSIONS IN INCHES



TYPE 3 FORD E450 2022  
RIGHT INTERIOR

DATE: 2/18/25

SCALE

DWN BY

NP/DLM

DWG NO

6 / 9

50" AISLE

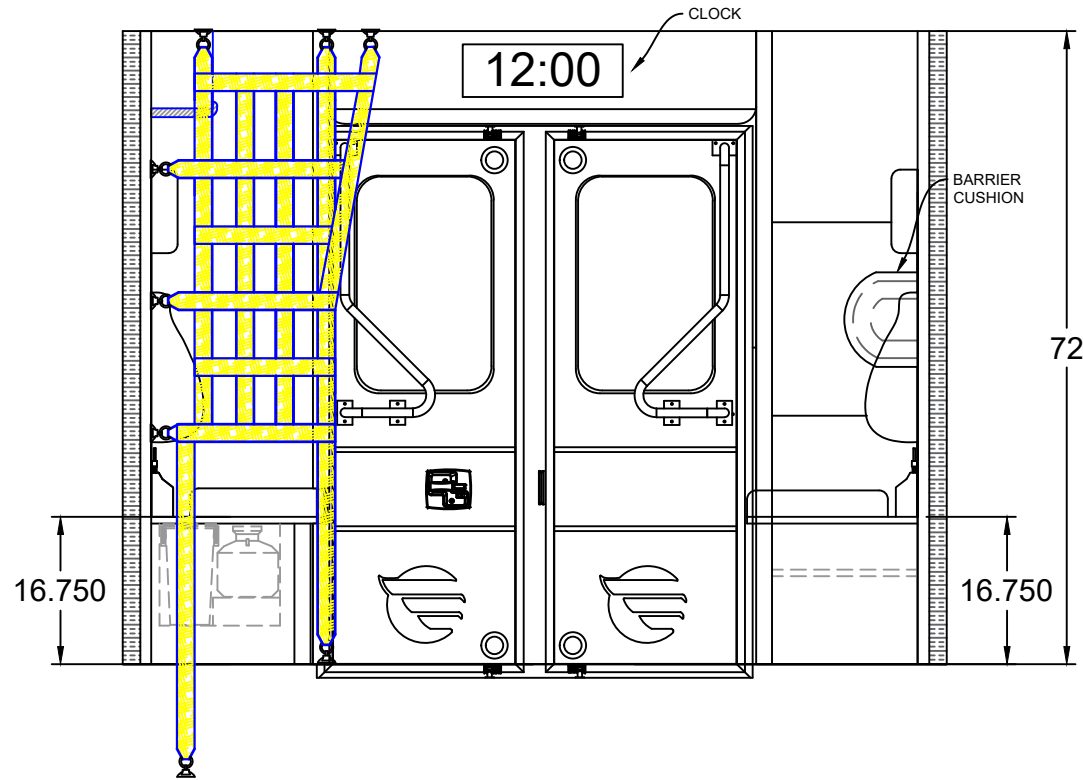
CABINET WEIGHT RATINGS:  
NON-RESTOCKING = 40 LBS.  
RESTOCKING = 30 LBS.

BE ADVISED THAT THESE ARE PRELIMINARY LAYOUTS INTENDED TO ILLUSTRATE DESIGN INTENT AND DIMENSIONS ARE FOR REFERENCE ONLY PRIOR TO FINAL ENGINEERING

CA166646

EVEREST EV DEMO

170 x 95 x 72



INTERIOR CABINET DIMENSIONS IN INCHES



TYPE 3 FORD E450 2022

REAR BULKHEAD INTERIOR

DATE: 2/18/25

SCALE

DWN BY

NP/DLM

DWG NO

7 / 9

COMPT.	HEIGHT	WIDTH	DEPTH		COMPT.	HEIGHT	WIDTH	DEPTH	

50" AISLE

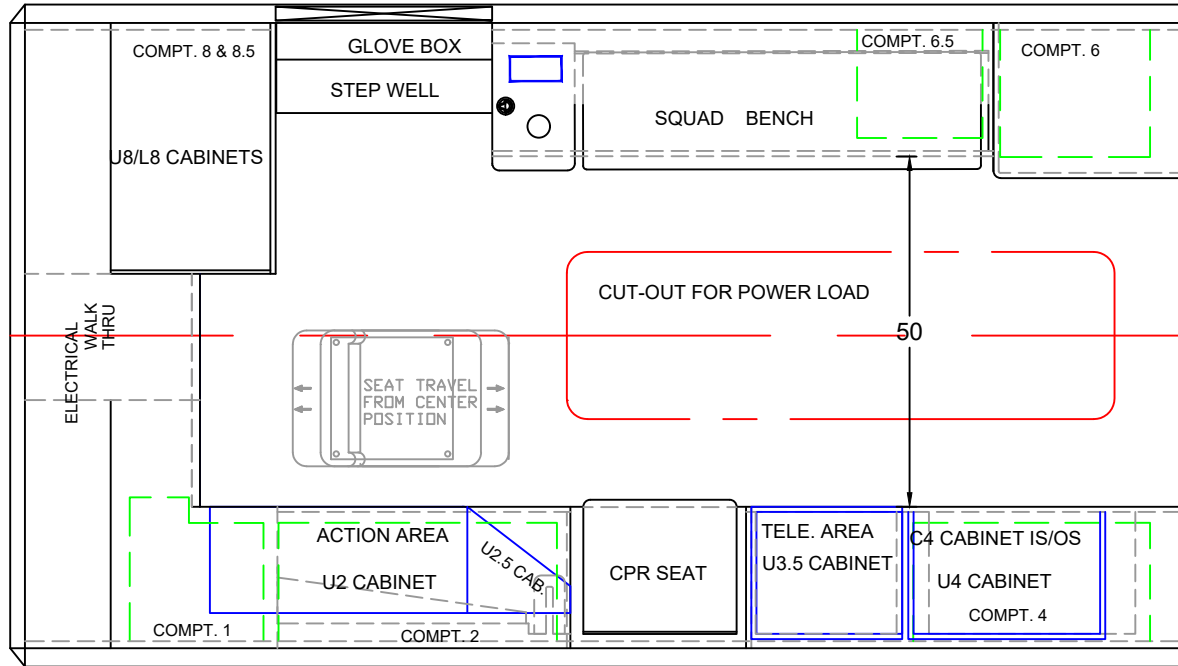
CABINET WEIGHT RATINGS:  
NON-RESTOCKING = 40 LBS.  
RESTOCKING = 30 LBS.

BE ADVISED THAT THESE ARE PRELIMINARY LAYOUTS INTENDED TO ILLUSTRATE DESIGN INTENT AND DIMENSIONS ARE FOR REFERENCE ONLY PRIOR TO FINAL ENGINEERING

CA166646

EVEREST EV DEMO

170 x 95 x 72



BE ADVISED THAT THESE ARE PRELIMINARY LAYOUTS INTENDED TO ILLUSTRATE DESIGN INTENT AND DIMENSIONS ARE FOR REFERENCE ONLY PRIOR TO FINAL ENGINEERING

CABINET WEIGHT RATINGS:  
NON-RESTOCKING = 40 LBS.  
RESTOCKING = 30 LBS.

50" AISLE

INTERIOR CABINET DIMENSIONS IN INCHES

CABINET	HEIGHT	WIDTH	DEPTH	CABINET	HEIGHT	WIDTH	DEPTH



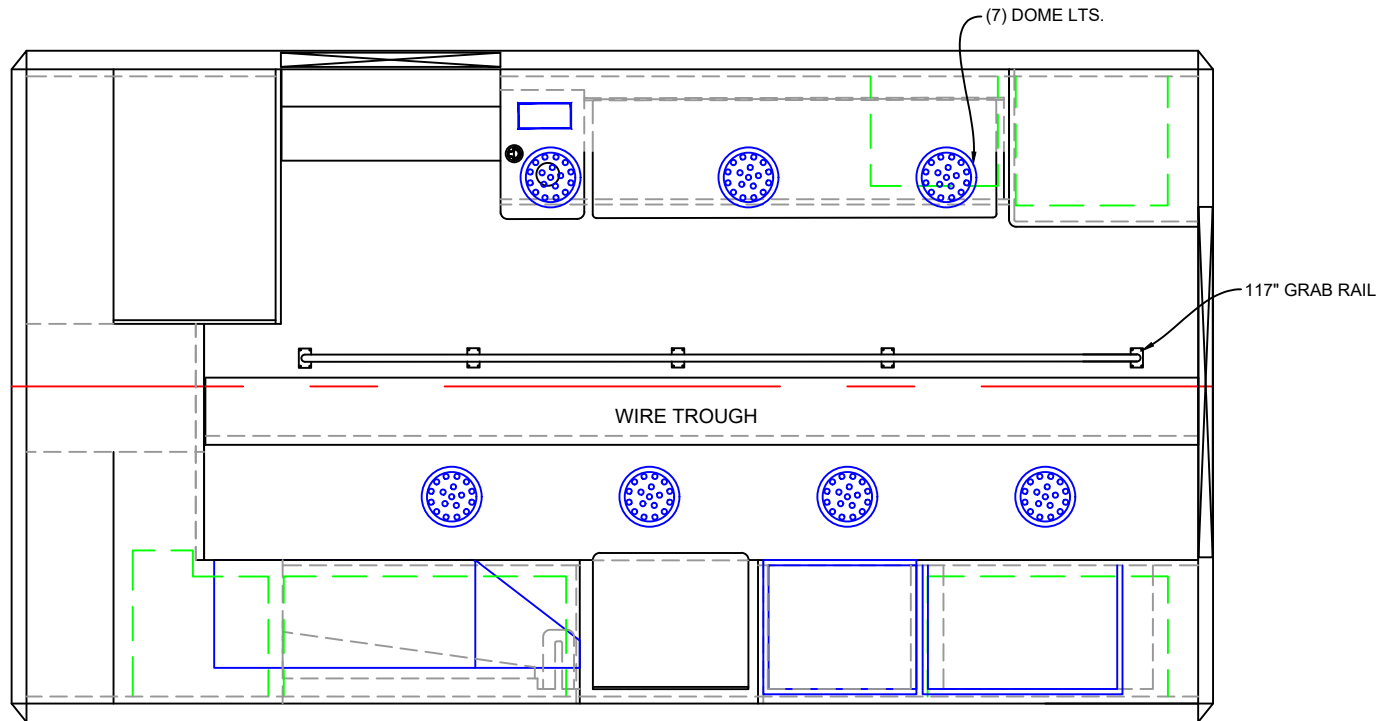
TYPE 3 FORD E450 2022  
FLOOR PLAN

DATE: 2/18/25 SCALE:  
DWN BY: NP/DLM DWG NO: 8 / 9

CA166646

EVEREST EV DEMO

170 x 95 x 72



BE ADVISED THAT THESE ARE PRELIMINARY LAYOUTS INTENDED TO ILLUSTRATE DESIGN INTENT AND DIMENSIONS ARE FOR REFERENCE ONLY PRIOR TO FINAL ENGINEERING

CABINET WEIGHT RATINGS:  
 NON-RESTOCKING = 40 LBS.  
 RESTOCKING = 30 LBS.

50" AISLE

INTERIOR CABINET DIMENSIONS IN INCHES

CABINET	HEIGHT	WIDTH	DEPTH	CABINET	HEIGHT	WIDTH	DEPTH



TYPE 3 FORD E450 2022

LINER

DATE: 2/18/25

SCALE

DWN BY NP/DLM

DWG NO 9 / 9