

Dealer: MEDIX

Approved By:

Date:

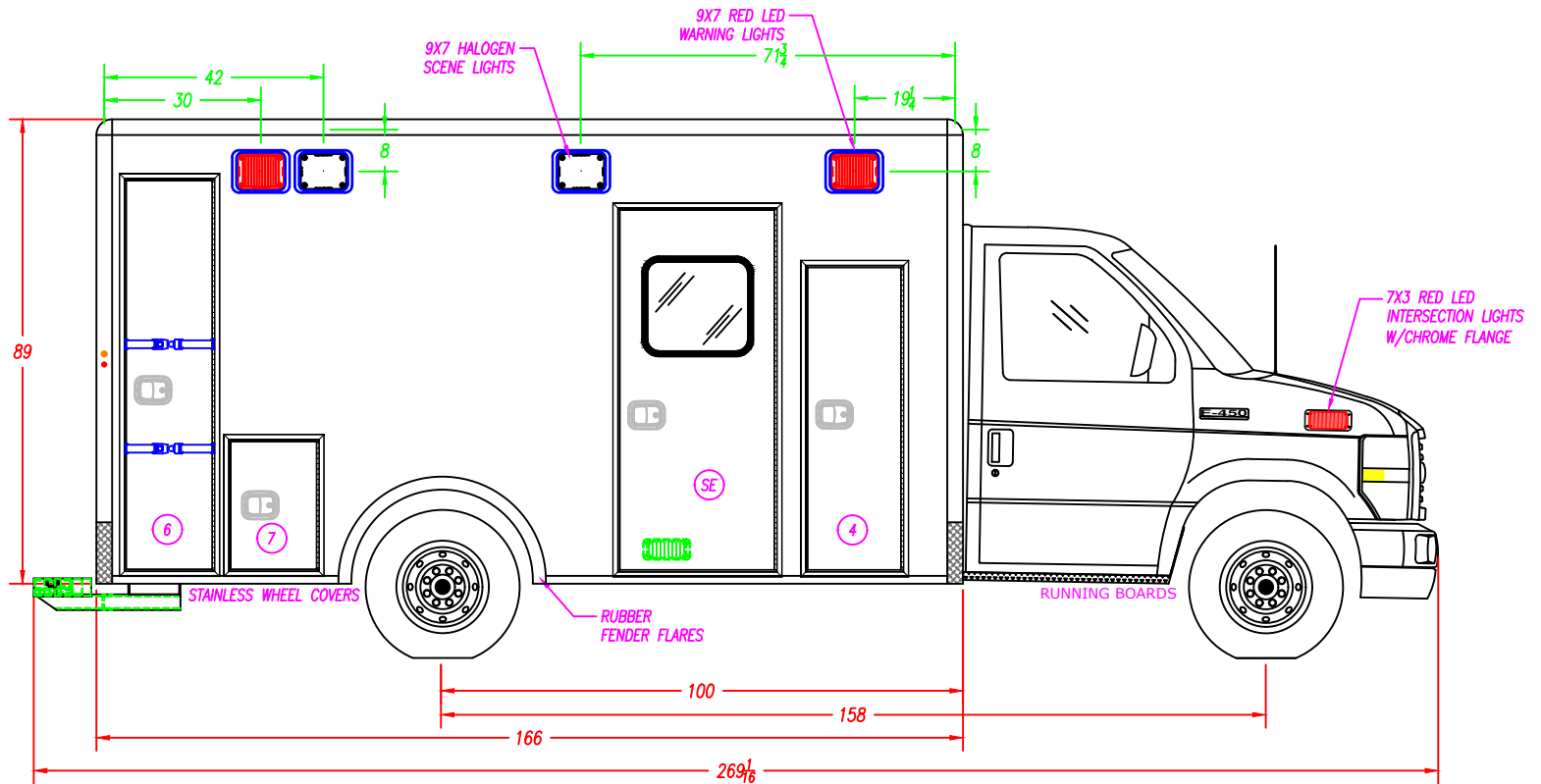
Customer:

DEMO

25-6804-08

Sheet
A

ALL COMPARTMENT & ENTRY DOORS TO HAVE POWER LOCKS, WIRE TO OEM
 ALL WARNING, SCENE, AND TAIL LIGHTS TO HAVE CHROME BEZELS
 ALL GREEN DIMENSIONS ARE TAKEN FROM EDGE OF WALL
 SURFACE PRIOR TO CORNER CAP BEING APPLIED



COMPARTMENT SIZES

NOTE: THE DIMENSIONS BELOW ARE FROM INSIDE THE COMPARTMENT

NO.	COMPARTMENT TYPE	WIDTH	HEIGHT	DEPTH
4	ALS/BATTERY COMPARTMENT	19 1/8"	15 1/2"	17 1/2"
6	BACKBOARD STORAGE COMPARTMENT	17 3/4"	75 3/4"	20"
7	COMPARTMENT 7	17 3/4"	25 3/4"	15 3/4"

COMPARTMENT & ENTRY DOORS

NO.	PART NUMBER	NO.	PARTNUMBER
4	71-A10910	7	71-A10978
SE	71-116128	-	---
6	71-A10977	-	---

COMPARTMENT TUBS

NO.	PART NUMBER	NO.	PARTNUMBER
4	41-101372	7	41-101247
6	41-103023	-	---
SE	41-101781	-	---

COMPARTMENT / ENTRY DOOR SIZES

NO.	COMPARTMENT / ENTRY DOOR TYPE	WIDTH	HEIGHT
4	ALS/BATTERY COMPARTMENT DOOR	18"	58 1/8"
SE	SIDE ENTRY DOOR	29 3/4"	69 1/8"
6	BACKBOARD STORAGE COMPARTMENT DOOR	16 3/8"	74 3/8"
7	COMPARTMENT STORAGE	16 3/8"	24 3/8"

FORD E450 158" W.B.
 166 TYPE III AMBULANCE

DESCRIPTION: CURB SIDE EXTERIOR

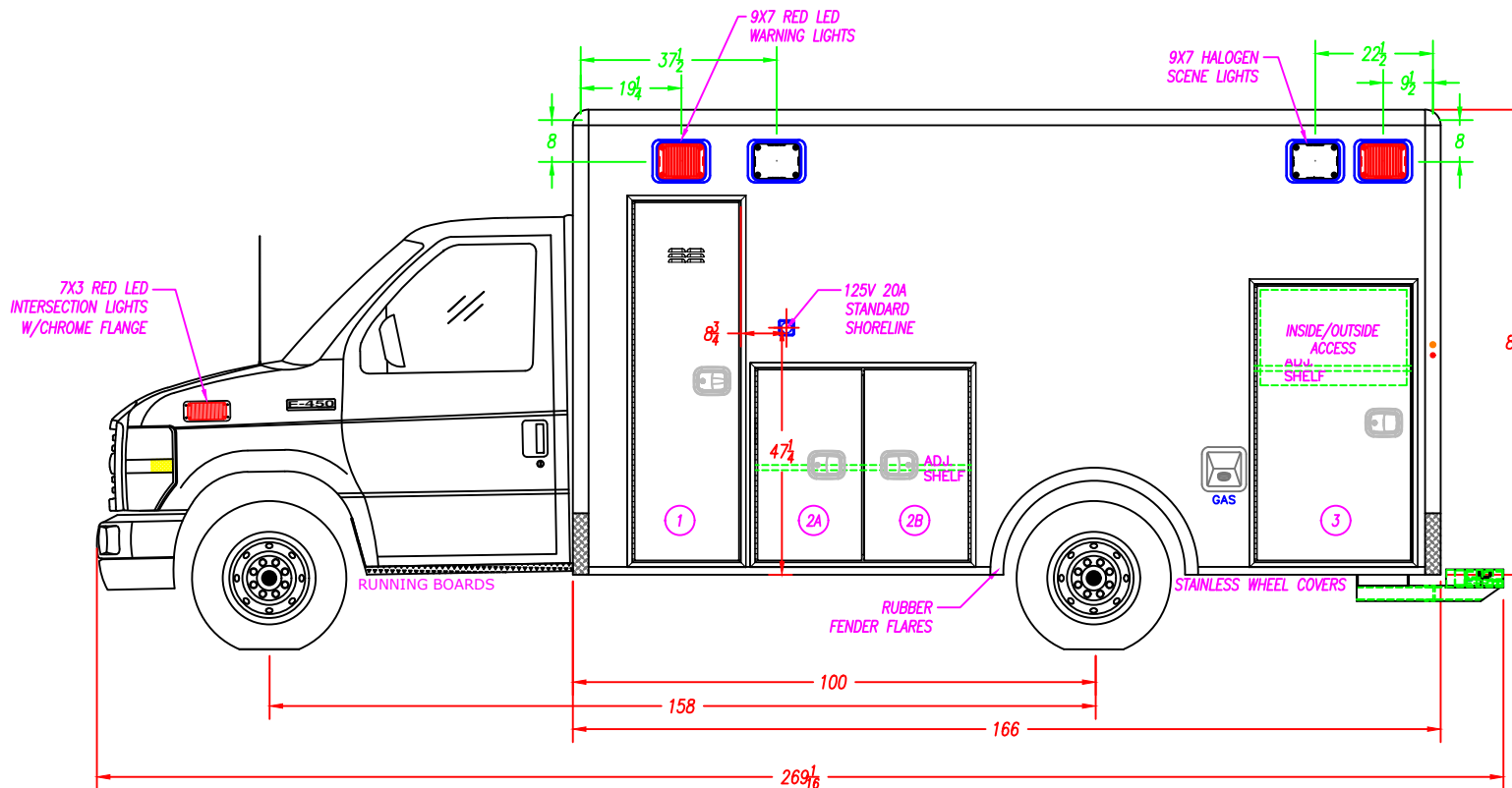
DRAWN BY: I.STANSBURY	DATE CREATED: 8/7/2025	SCALE: 5/16"=1'
REVISED BY: I.STANSBURY	DATE REVISED: 9/5/2025	REVISION: B

Note: Drawings are for reference only, measurements may vary from actual product.

MEDIX 3008 MOBILE DRIVE
 ELKHART, IN 46514
 PH: 574-266-0911
 SPECIALTY VEHICLES, INC. FAX: 574-266-6669

"LET US SHOW YOU THE MEDIX DIFFERENCE"
 WWW.MEDIXAMBULANCE.COM

ALL COMPARTMENT & ENTRY DOORS TO HAVE POWER LOCKS, WIRE TO OEM
 ALL WARNING, SCENE, AND TAIL LIGHTS TO HAVE CHROME BEZELS
 ALL GREEN DIMENSIONS ARE TAKEN FROM EDGE OF WALL
 SURFACE PRIOR TO CORNER CAP BEING APPLIED



COMPARTMENT SIZES

NOTE: THE DIMENSIONS BELOW ARE FROM INSIDE THE COMPARTMENT

NO.	COMPARTMENT TYPE	WIDTH	HEIGHT	DEPTH
1	O2 STORAGE COMPARTMENT	21 1/8"	69 5/8"	15 3/4"
2	MID STORAGE COMPARTMENT	41 5/8"	37 5/8"	18 1/4"
3	REAR STORAGE COMPARTMENT	30 5/8"	53 3/8"	18 3/4"
-	---	---	---	---

COMPARTMENT & ENTRY DOORS

NO.	PART NUMBER	NO.	PARTNUMBER
1	71-115257	3	71-A10975
2	71-118610	-	---
-	---	-	---

COMPARTMENT TUBS

NO.	PART NUMBER	NO.	PARTNUMBER
1	41-115256	-	---
2	41-103435	-	---
3	41-102057	-	---

COMPARTMENT / ENTRY DOOR SIZES

NO.	COMPARTMENT / ENTRY DOOR TYPE	WIDTH	HEIGHT
1	O2 STORAGE COMPARTMENT DOOR	20 1/8"	68 5/8"
2A	MID STORAGE COMPARTMENT A-DOOR	20 1/8"	36 5/8"
2B	MID STORAGE COMPARTMENT B-DOOR	21 1/8"	36 5/8"
3	REAR STORAGE COMPARTMENT DOOR	29 3/8"	52 3/8"

FORD E450 158" W.B.
 166 TYPE III AMBULANCE

DESCRIPTION: STREET SIDE EXTERIOR

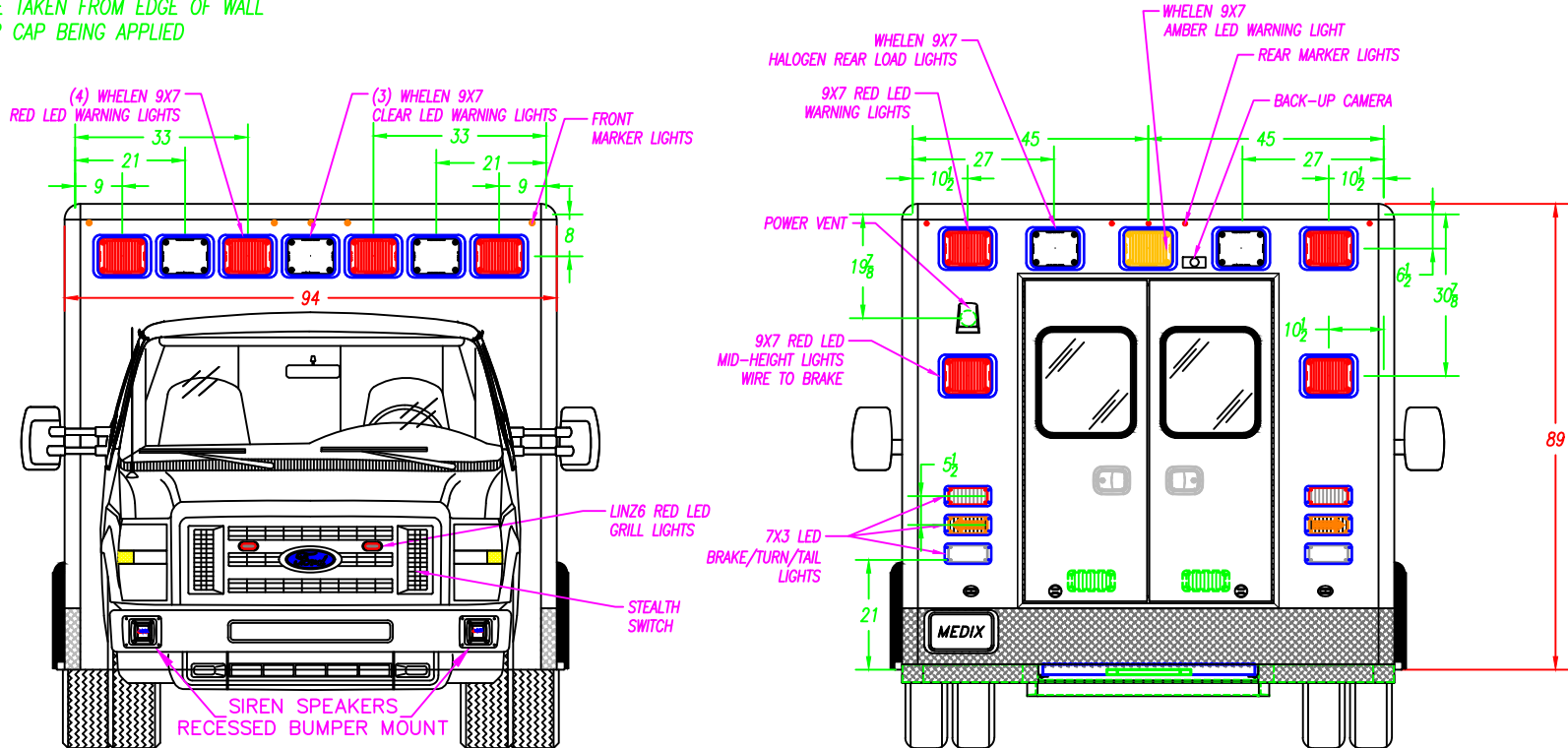
DRAWN BY: I.STANSBURY DATE CREATED: 8/7/2025 SCALE: 5/16"=1'
 REVISED BY: I.STANSBURY DATE REVISED: 9/5/2025 REVISION: B

Note: Drawings are for reference only, measurements may vary from actual product.

MEDIX 3008 MOBILE DRIVE
 ELKHART, IN 46514
 PH: 574-266-0911
 SPECIALTY VEHICLES, INC. FAX: 574-266-6669

"LET US SHOW YOU THE MEDIX DIFFERENCE"
 WWW.MEDIXAMBULANCE.COM

ALL COMPARTMENT & ENTRY DOORS TO HAVE POWER LOCKS, WIRE TO OEM
 ALL WARNING, SCENE, AND TAIL LIGHTS TO HAVE CHROME BEZELS
 ALL GREEN DIMENSIONS ARE TAKEN FROM EDGE OF WALL
 SURFACE PRIOR TO CORNER CAP BEING APPLIED



REAR ENTRY DOOR SIZES

NO.	WIDTH	HEIGHT	PART NUMBER
RE	50"	64 1/8"	71-116130

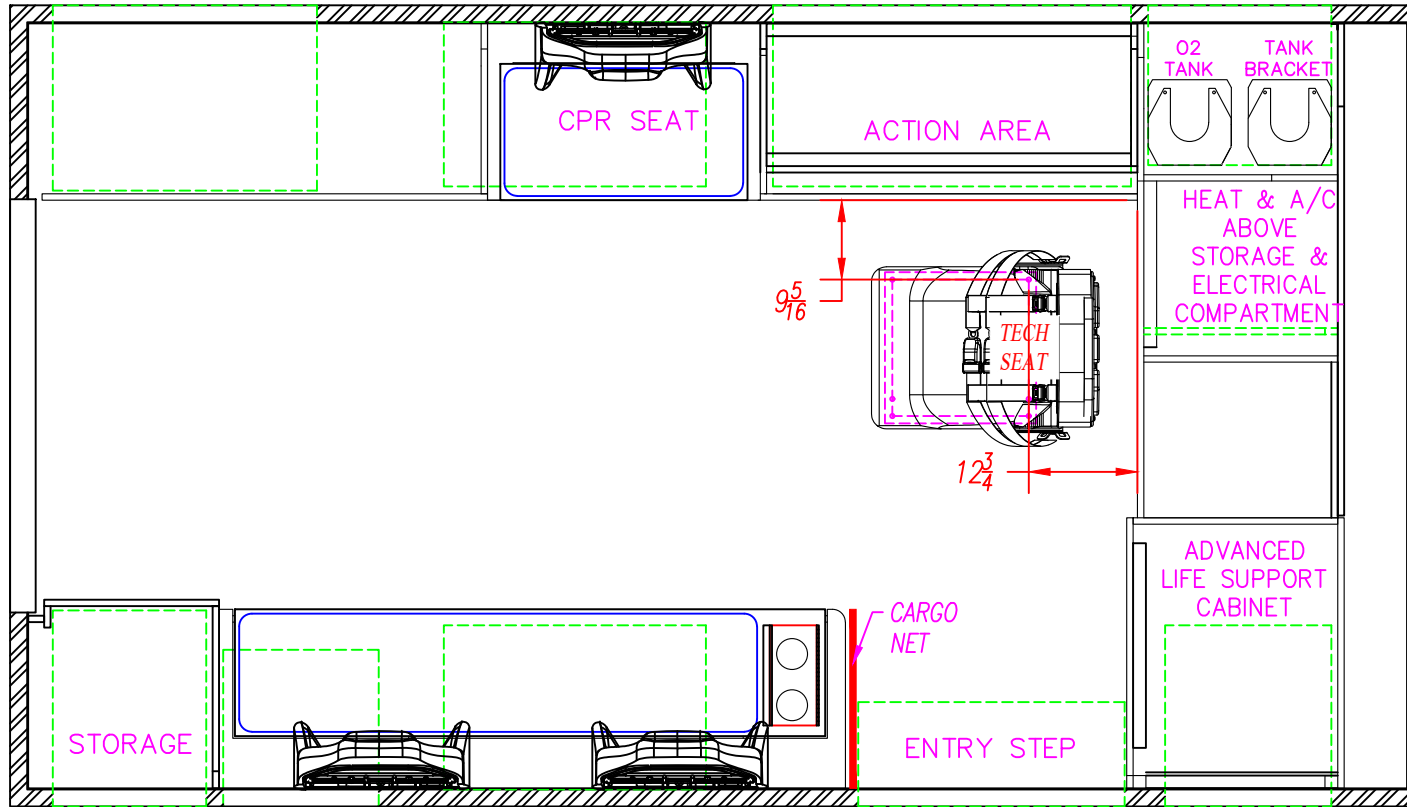
FORD E450 158" W.B. 166 TYPE III AMBULANCE		
DESCRIPTION: FRONT & REAR EXTERIOR		
DRAWN BY: I.STANSBURY	DATE CREATED: 8/7/2025	SCALE: 5/16"=1'
REVISED BY: I.STANSBURY	DATE REVISED: 9/5/2025	REVISION: B
Note: Drawings are for reference only, measurements may vary from actual product.		



MEDIX
SPECIALTY VEHICLES, INC.

3008 MOBILE DRIVE
ELKHART, IN 46514
PH: 574-266-0911
FAX: 574-266-6669

"LET US SHOW YOU THE MEDIX DIFFERENCE"
WWW.MEDIXAMBULANCE.COM



FORD E450 158" W.B.
166 TYPE III AMBULANCE

DESCRIPTION: PATIENT AREA PLAN

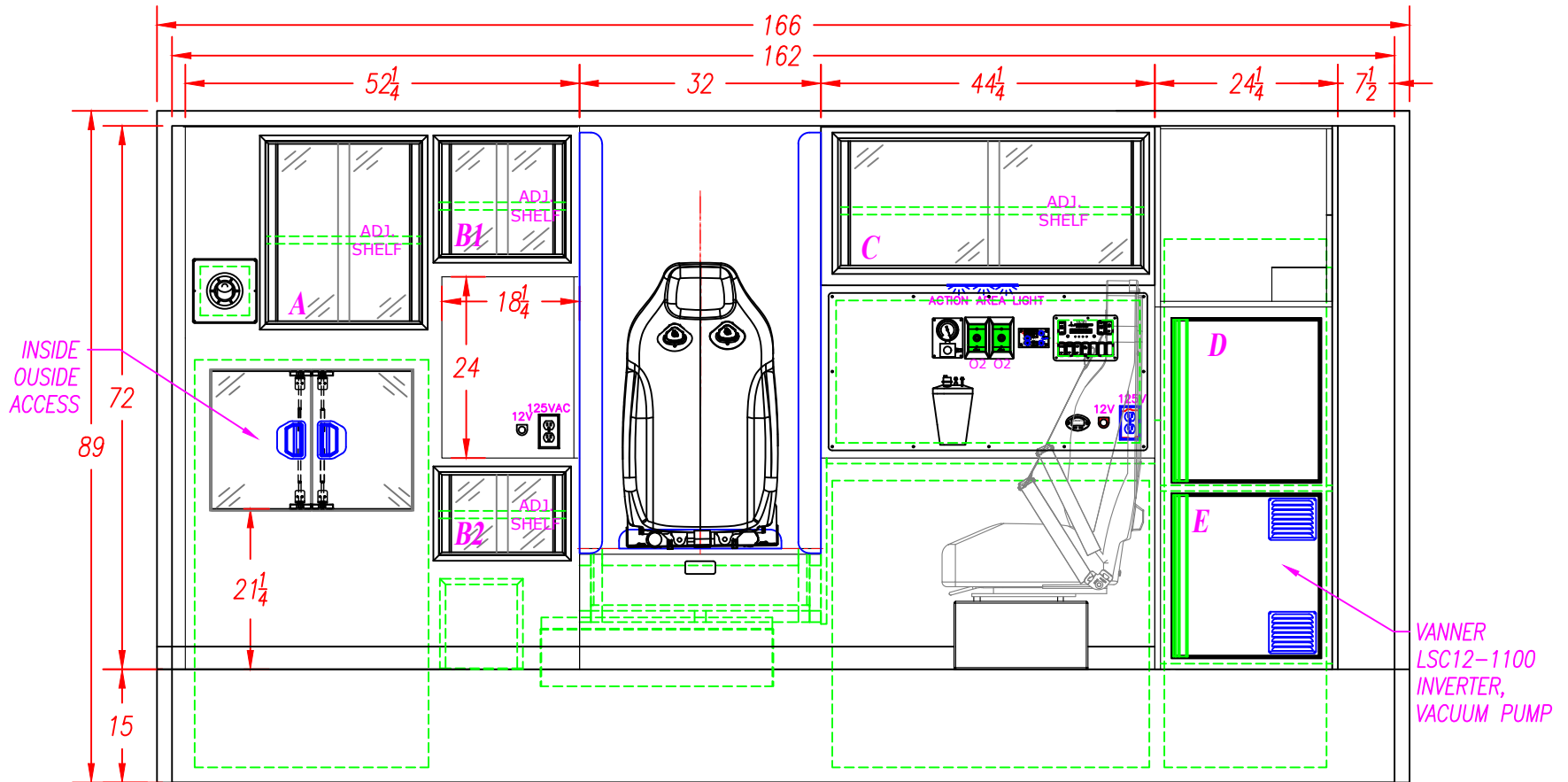
DRAWN BY: I. STANSBURY	DATE CREATED: 8/7/2025	SCALE: 1/2"=1'
REVISED BY: I. STANSBURY	DATE REVISED: 9/5/2025	REVISION: B

Note: Drawings are for reference only, measurements may vary from actual product.



3008 MOBILE DRIVE
ELKHART, IN 46514
PH: 574-266-0911
FAX: 574-266-6669

"LET US SHOW YOU THE MEDIX DIFFERENCE"
WWW.MEDIXAMBULANCE.COM



INTERIOR CABINET STORAGE

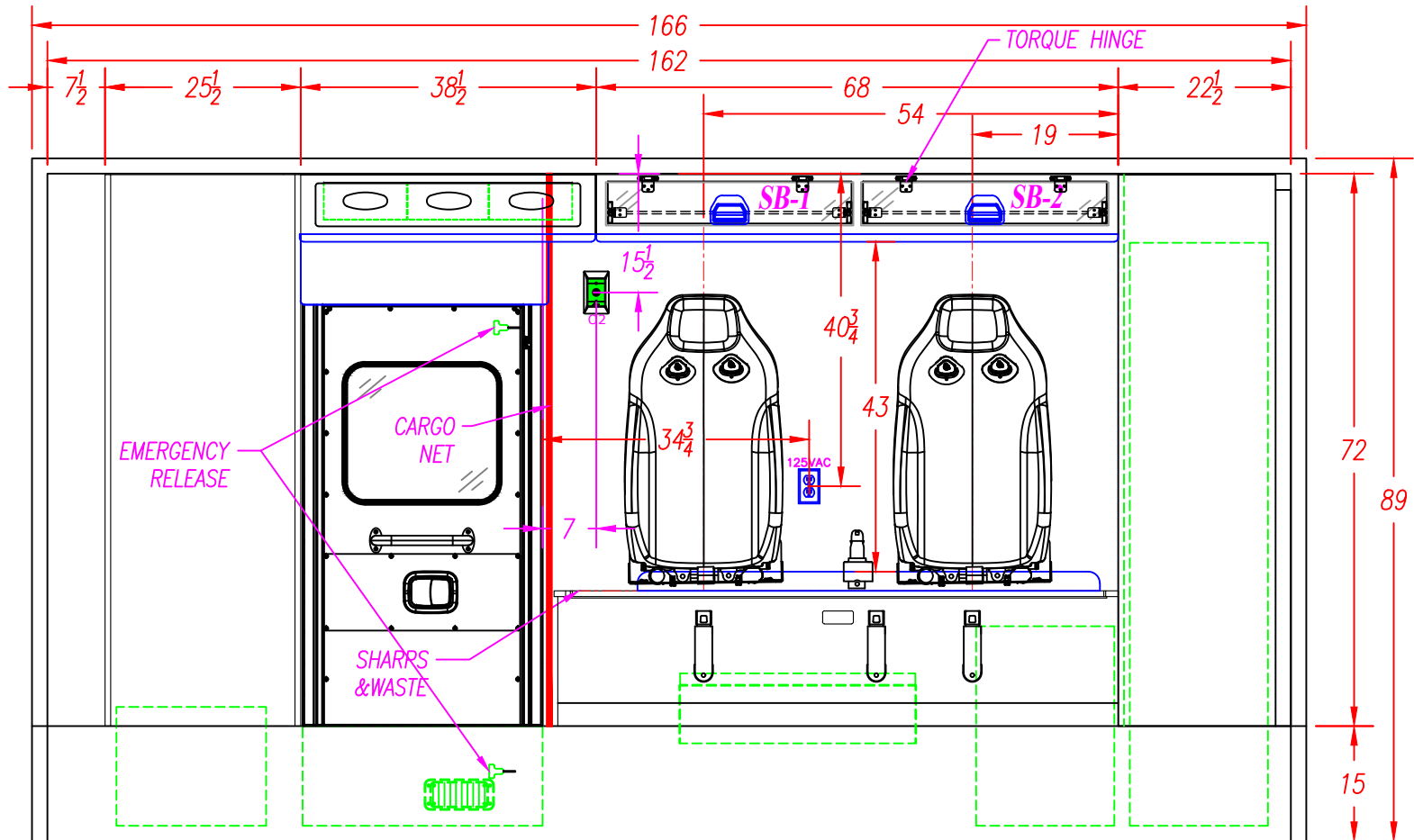
ITEM	HEIGHT	WIDTH	DEPTH	SPECIAL NOTE
A	24 1/4"	22"	18"	
B1	15 3/8"	20 1/2"	18"	
B2	11"	20 1/2"	18"	
C	17 1/4"	39 3/4"	15"	
D	23 1/2"	20 3/4"	17 1/4"	
E	23 1/2"	20 3/4"	17 1/4"	

FORD E450 158" W.B. 166 TYPE III AMBULANCE		
DESCRIPTION: STREET SIDE INT. CPR SEAT		
DRAWN BY: I.STANSBURY	DATE CREATED: 8/7/2025	SCALE: 1/2"=1'
REVISED BY: I.STANSBURY	DATE REVISED: 9/5/2025	REVISION: B
Note: Drawings are for reference only, measurements may vary from actual product.		

3008 MOBILE DRIVE
ELKHART, IN 46514
PH: 574-266-0911
FAX: 574-266-6669

"LET US SHOW YOU THE MEDIX DIFFERENCE"

WWW.MEDIXAMBULANCE.COM



4" SEATBELT PLATE LOCATION

WELD SHOP	30	INCHES	NOTE: THIS DIMENSION IS FROM THE BOTTOM OF THE WALL TO THE BOTTOM OF THE 4" PLATE.				
	CABINET SHOP	NOTE: THE HOLES FOR THE TOP SEATBELT BOLTS ARE 1 1/4" FROM THE TOP OF THE SQUAD BENCH TO THE CENTER OF THE SEATBELT BOLT. NOTE: THE HOLES FOR THE BOTTOM SEATBELT BOLTS ON THE SQUAD BENCH ARE 9 3/8" FROM THE TOP OF THE FLOOR TO THE CENTER OF THE BOLT.					
NOTE: READ THE DIMENSIONS FROM RIGHT TO LEFT AS VIEWED	THE LOCATION OF THE BOTTOM SEATBELT HOLES ARE FROM THE REAR OF THE SQUAD BENCH TO THE CENTER OF THE 1/2" HOLE	BOTTOM			54"	31 1/2"	19"
	THE LOCATION OF THE TOP SEATBELT HOLES ARE FROM THE REAR WALL TO THE CENTER OF THE 1/2" HOLE	TOP			54"	33 1/2"	19"

INTERIOR CABINET STORAGE				
ITEM	HEIGHT	WIDTH	DEPTH	SPECIAL NOTE
SB	8 1/4"	60"	7"	
-				
-				
-				
-				

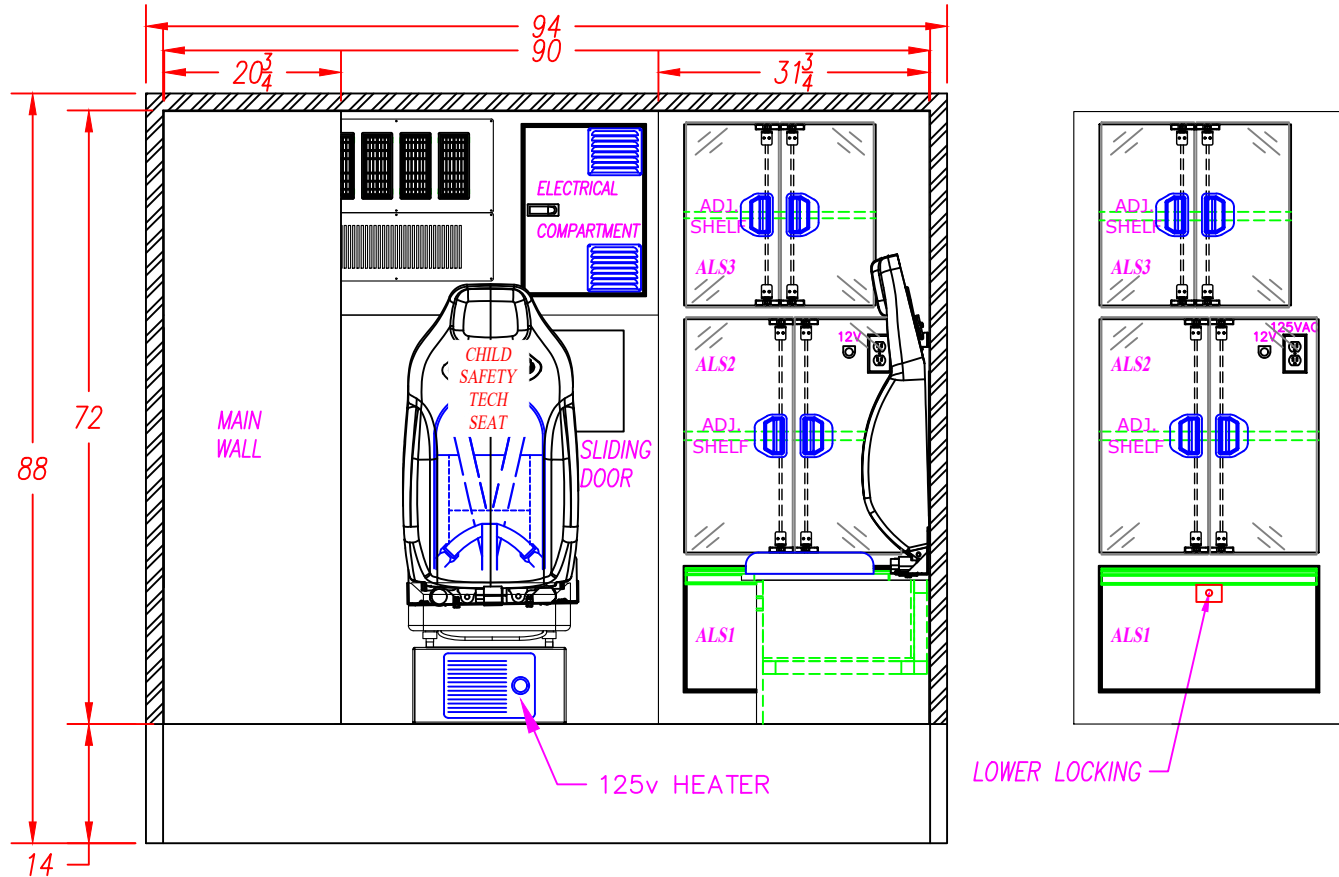
FORD E450 158" W.B. 166 TYPE III AMBULANCE		
DESCRIPTION: CURB SIDE INTERIOR		
DRAWN BY: I. STANSBURY	DATE CREATED: 8/7/2025	SCALE: 1/2"=1'
REVISED BY: I. STANSBURY	DATE REVISED: 9/5/2025	REVISION: B
Note: Drawings are for reference only, measurements may vary from actual product.		



MEDIX
SPECIALTY VEHICLES, INC.

3008 MOBILE DRIVE
ELKHART, IN 46514
PH: 574-266-0911
FAX: 574-266-6669

"LET US SHOW YOU THE MEDIX DIFFERENCE"
WWW.MEDIXAMBULANCE.COM



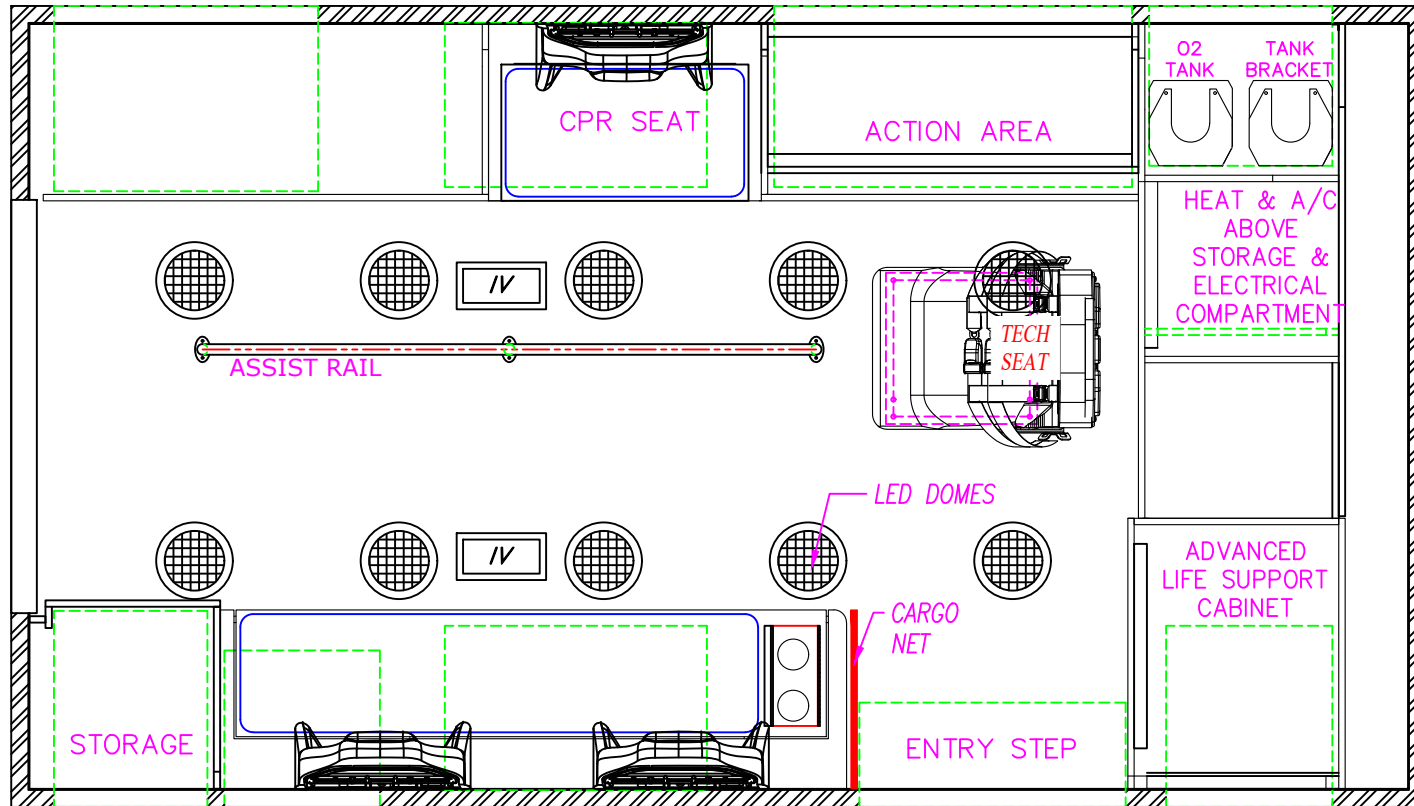
INTERIOR CABINET STORAGE

ITEM	HEIGHT	WIDTH	DEPTH	SPECIAL NOTE
ALS1	14 5/8"	25 5/8"	22 1/2"	
ALS2	27 1/4"	25 5/8"	22 1/2"	
ALS3	21 1/2"	25"	22 1/2"	
-				
-				
-				

FORD E450 158" W.B. 166 TYPE III AMBULANCE		
DESCRIPTION: FRONT ELEVATION		
DRAWN BY: I.STANSBURY	DATE CREATED: 8/7/2025	SCALE: 1/2"=1'
REVISED BY: I.STANSBURY	DATE REVISED: 9/5/2025	REVISION: B
Note: Drawings are for reference only, measurements may vary from actual product.		

MEDIX 3008 MOBILE DRIVE
ELKHART, IN 46514
PH: 574-266-0911
SPECIALTY VEHICLES, INC. FAX: 574-266-6669

"LET US SHOW YOU THE MEDIX DIFFERENCE"
WWW.MEDIXAMBULANCE.COM



FORD E450 158" W.B.
166 TYPE III AMBULANCE

DESCRIPTION: CEILING LAYOUT

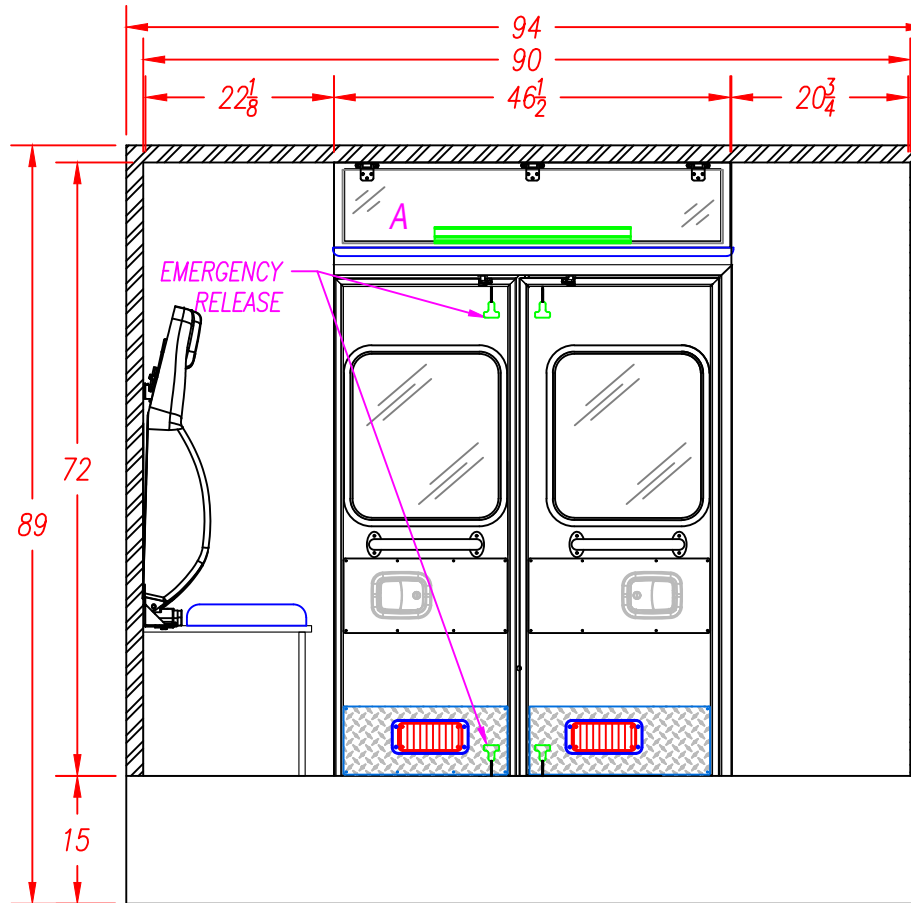
DRAWN BY: I.STANSBURY	DATE CREATED: 8/7/2025	SCALE: 1/2"=1'
REVISED BY: I.STANSBURY	DATE REVISED: 9/5/2025	REVISION: B

Note: Drawings are for reference only, measurements may vary from actual product.



3008 MOBILE DRIVE
ELKHART, IN 46514
PH: 574-266-0911
FAX: 574-266-6669


"LET US SHOW YOU THE MEDIX DIFFERENCE"
WWW.MEDIXAMBULANCE.COM



INTERIOR CABINET STORAGE

ITEM	HEIGHT	WIDTH	DEPTH	SPECIAL NOTE
R	6 1/4"	43 1/4"	7 1/2"	
-				
-				
-				
-				

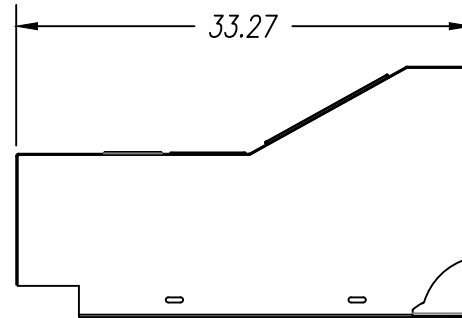
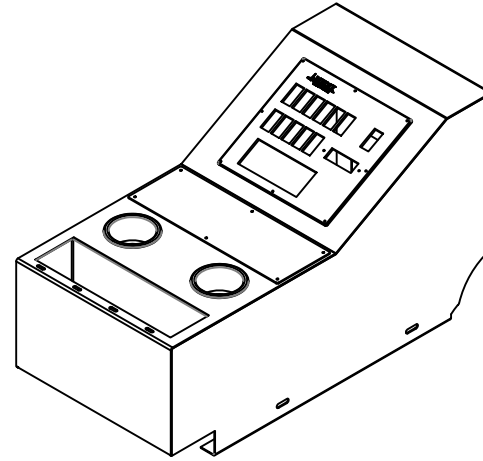
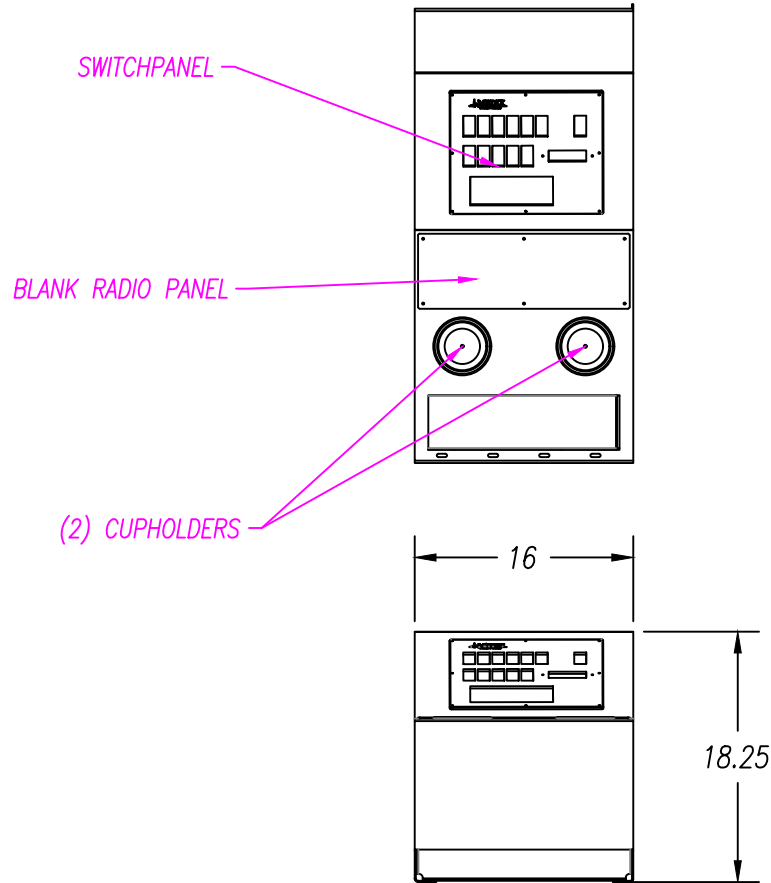
FORD E450 158" W.B. 166 TYPE III AMBULANCE		
DESCRIPTION: REAR ELEVATION		
DRAWN BY: I.STANSBURY	DATE CREATED: 8/7/2025	SCALE: 1/2"=1'
REVISED BY: I.STANSBURY	DATE REVISED: 9/5/2025	REVISION: B
Note: Drawings are for reference only, measurements may vary from actual product.		



MEDIX
SPECIALTY VEHICLES, INC.

3008 MOBILE DRIVE
ELKHART, IN 46514
PH: 574-266-0911
FAX: 574-266-6669

"LET US SHOW YOU THE MEDIX DIFFERENCE"
WWW.MEDIXAMBULANCE.COM



FORD E450 158" W.B.
166 TYPE III AMBULANCE

DESCRIPTION: FRONT CONSOLE

DRAWN BY: I.STANSBURY	DATE CREATED: 8/7/2025	SCALE: 1/2"=1'
REVISED BY: I.STANSBURY	DATE REVISED: 9/5/2025	REVISION: B

Note: Drawings are for reference only, measurements may vary from actual product.



3008 MOBILE DRIVE
ELKHART, IN 46514
PH: 574-266-0911
FAX: 574-266-6669

"LET US SHOW YOU THE MEDIX DIFFERENCE"
WWW.MEDIXAMBULANCE.COM